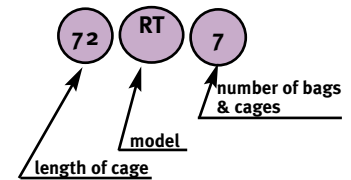
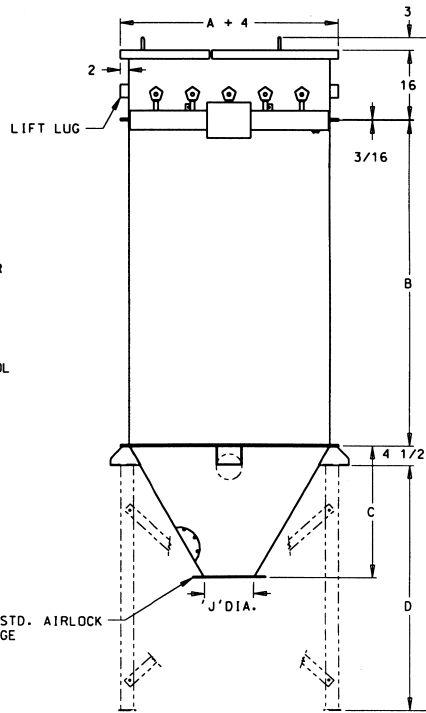
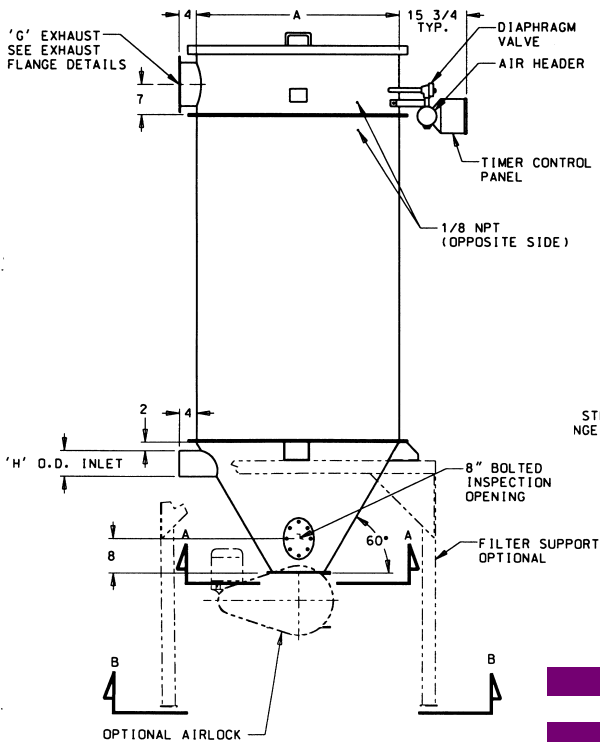


# RT Filter



Shown with optional butterfly valve



Each RT filter comes with an informational model number to better identify it.

**HOPPER SCHEDULE**

Dimensions (IN.)

AIRLOCK FLANGE	'J' DIA. DISCHARGE	RT FILTER / 'C' DIMENSION							
		7	14	21	32	39	52	62	80
HE9X9, MD20	8	17 <sup>9</sup> / <sub>16</sub>	28	34	45 <sup>1</sup> / <sub>4</sub>	~~~~	~~~~	~~~~	~~~~
MD40	10	15 <sup>7</sup> / <sub>8</sub>	26 <sup>1</sup> / <sub>4</sub>	32 <sup>5</sup> / <sub>16</sub>	43 <sup>9</sup> / <sub>16</sub>	48 <sup>3</sup> / <sub>4</sub>	54	64 <sup>3</sup> / <sub>8</sub>	72 <sup>1</sup> / <sub>8</sub>
HE12X12, MD75	12	14 <sup>1</sup> / <sub>8</sub>	24 <sup>1</sup> / <sub>2</sub>	30 <sup>9</sup> / <sub>16</sub>	41 <sup>13</sup> / <sub>16</sub>	47	52 <sup>1</sup> / <sub>4</sub>	62 <sup>5</sup> / <sub>8</sub>	70 <sup>3</sup> / <sub>8</sub>
HE12X12, MD75	14	~~~~	~~~~	28 <sup>7</sup> / <sub>8</sub>	40 <sup>1</sup> / <sub>8</sub>	45 <sup>1</sup> / <sub>4</sub>	50 <sup>1</sup> / <sub>2</sub>	60 <sup>7</sup> / <sub>8</sub>	68 <sup>11</sup> / <sub>16</sub>
HE15X15	15	~~~~	~~~~	28	39 <sup>1</sup> / <sub>4</sub>	44 <sup>7</sup> / <sub>16</sub>	49 <sup>5</sup> / <sub>8</sub>	60	67 <sup>1</sup> / <sub>8</sub>
MD139	16	~~~~	~~~~	27 <sup>7</sup> / <sub>8</sub>	38 <sup>3</sup> / <sub>8</sub>	43 <sup>9</sup> / <sub>16</sub>	48 <sup>3</sup> / <sub>4</sub>	59 <sup>5</sup> / <sub>8</sub>	67
HE18X18	18	~~~~	~~~~	25 <sup>3</sup> / <sub>8</sub>	36 <sup>3</sup> / <sub>8</sub>	41 <sup>13</sup> / <sub>16</sub>	47	57 <sup>1</sup> / <sub>16</sub>	65 <sup>1</sup> / <sub>4</sub>
MD260	19	~~~~	~~~~	24 <sup>1</sup> / <sub>2</sub>	35 <sup>3</sup> / <sub>4</sub>	41	46 <sup>1</sup> / <sub>8</sub>	56 <sup>3</sup> / <sub>16</sub>	64 <sup>3</sup> / <sub>8</sub>
MD400	20	~~~~	~~~~	23 <sup>3</sup> / <sub>8</sub>	34 <sup>7</sup> / <sub>8</sub>	40 <sup>1</sup> / <sub>8</sub>	45 <sup>1</sup> / <sub>4</sub>	55 <sup>11</sup> / <sub>16</sub>	63 <sup>1</sup> / <sub>2</sub>

**Related Products**

**Bags**  
page 3-39

**Cages**  
page 3-39



### Standard Specifications

- Carbon steel or 304 stainless steel construction\*
- Rated to 40" w.c. static pressure
- Full welded exterior and skip welded interior
- Timing board enclosures: NEMA 12
- Top mounted hinged access doors
- Venturi nozzles and bag cups: mineral reinforced nylon
- Bag cages: galvanized carbon steel
- Bags: 16oz. singed dacron polyester
- Lifting lugs: Two on top plenum
- Inspection door:
  - Units with 18" long bags have an 18" x 17" tall bolted inspection panel
  - Units with bags longer than 18" have an 18" wide hinged inspection door
- Pressure differential gauge kit
- 60° hopper flanged to housing (Style III only)
- MAC white paint

\*stainless steel includes housing, hopper and tubesheet with all carbon steel flanges and reinforced ribs

### Options

- 316 stainless steel
- 10 gauge carbon steel construction rated to 20" static pressure
- 304 stainless steel flanges for 304 stainless steel filters
- High entry inlet with bag protectors
- 70° hopper slope (style III only)
- Aluminum Venturi
- NEMA 4, 7 or 9 timer enclosure
- Exhaust weather hood with birdscreen 4 x 4 mesh (Style II only)
- Carbon steel service platform with ladder and safety cage
- T-handle food grade door
- Structural steel legs, 12" clearance
- Flanged air inlet
- Mount pads
- Side mounted or top mounted fans (restrictions exist - please contact your MAC Sales Representative)

MODEL	FILTER AREA	NO. OF BAGS	Dimensions (IN.)									MAXIMUM		WEIGHT LBS.
			A	B	C	D	E	F	G	J	K	AIRLOCK	SCFM	
18RT7	17	7	28	22	17 <sup>7</sup> / <sub>16</sub>	40 <sup>3</sup> / <sub>4</sub>	86 <sup>7</sup> / <sub>16</sub>	10 DIA.	8	MD 20	MD 40	3.3	540	
36RT7	34	7	28	40	17 <sup>7</sup> / <sub>16</sub>	40 <sup>3</sup> / <sub>4</sub>	104 <sup>7</sup> / <sub>16</sub>	10 DIA.	8	MD 20	MD 40	3.3	690	
54RT7	52	7	28	58	17 <sup>7</sup> / <sub>16</sub>	40 <sup>3</sup> / <sub>4</sub>	122 <sup>7</sup> / <sub>16</sub>	10 DIA.	8	MD 20	MD 40	3.3	780	
72RT7	69	7	28	76	17 <sup>7</sup> / <sub>16</sub>	40 <sup>3</sup> / <sub>4</sub>	140 <sup>7</sup> / <sub>16</sub>	10 DIA.	8	MD 20	MD 40	3.3	870	
18RT14	34	14	40	22	26 <sup>1</sup> / <sub>4</sub>	51	96 <sup>11</sup> / <sub>16</sub>	10 DIA.	10	MD 40	MD 40	4.7	770	
36RT14	69	14	40	40	26 <sup>1</sup> / <sub>4</sub>	51	114 <sup>11</sup> / <sub>16</sub>	10 DIA.	10	MD 40	MD 40	4.7	960	
54RT14	104	14	40	58	26 <sup>1</sup> / <sub>4</sub>	51	132 <sup>11</sup> / <sub>16</sub>	10 DIA.	10	MD 40	MD 40	4.7	1100	
72RT14	139	14	40	76	26 <sup>1</sup> / <sub>4</sub>	51	150 <sup>11</sup> / <sub>16</sub>	10 DIA.	10	MD 40	MD 40	4.7	1230	
96RT14	185	14	40	100	26 <sup>1</sup> / <sub>4</sub>	51	174 <sup>11</sup> / <sub>16</sub>	10 DIA.	10	MD 40	MD 40	4.7	1390	
36RT21	104	21	47	40	32 <sup>5</sup> / <sub>16</sub>	57	120 <sup>11</sup> / <sub>16</sub>	10 X 20	10	MD 40	MD 40	5.4	1350	
54RT21	156	21	47	58	32 <sup>5</sup> / <sub>16</sub>	57	138 <sup>11</sup> / <sub>16</sub>	10 X 20	10	MD 40	MD 40	5.4	1580	
72RT21	209	21	47	76	32 <sup>5</sup> / <sub>16</sub>	57	156 <sup>11</sup> / <sub>16</sub>	10 X 20	10	MD 40	MD 40	5.4	1750	
96RT21	278	21	47	100	32 <sup>5</sup> / <sub>16</sub>	57	180 <sup>11</sup> / <sub>16</sub>	10 X 20	10	MD 40	MD 40	5.4	1990	
54RT32	239	32	60	58	43 <sup>9</sup> / <sub>16</sub>	68 <sup>3</sup> / <sub>4</sub>	149 <sup>15</sup> / <sub>16</sub>	10 X 20	10	MD 40	MD 40	6.5	2130	
72RT32	318	32	60	76	43 <sup>9</sup> / <sub>16</sub>	68 <sup>3</sup> / <sub>4</sub>	167 <sup>15</sup> / <sub>16</sub>	10 X 20	10	MD 40	MD 40	6.5	2400	
96RT32	425	32	60	100	43 <sup>9</sup> / <sub>16</sub>	68 <sup>3</sup> / <sub>4</sub>	191 <sup>15</sup> / <sub>16</sub>	10 X 20	10	MD 40	MD 40	6.5	2730	
54RT39	291	39	66	58	48 <sup>3</sup> / <sub>4</sub>	73 <sup>1</sup> / <sub>2</sub>	155 <sup>3</sup> / <sub>16</sub>	10 X 30	10	MD 40	MD 40	7.5	2650	
72RT39	388	39	66	76	48 <sup>3</sup> / <sub>4</sub>	73 <sup>1</sup> / <sub>2</sub>	173 <sup>3</sup> / <sub>16</sub>	10 X 30	10	MD 40	MD 40	7.5	2890	
96RT39	518	39	66	100	48 <sup>3</sup> / <sub>4</sub>	73 <sup>1</sup> / <sub>2</sub>	197 <sup>3</sup> / <sub>16</sub>	10 X 30	10	MD 40	MD 40	7.5	3200	
72RT52	518	52	72	76	54	78 <sup>5</sup> / <sub>8</sub>	178 <sup>5</sup> / <sub>16</sub>	10 X 30	10	MD 40	MD 40	9.1	3330	
96RT52	690	52	72	100	54	78 <sup>5</sup> / <sub>8</sub>	202 <sup>5</sup> / <sub>16</sub>	10 X 30	10	MD 40	MD 40	9.1	3690	
72RT62	617	62	84	76	62 <sup>5</sup> / <sub>8</sub>	89 <sup>1</sup> / <sub>4</sub>	188 <sup>15</sup> / <sub>16</sub>	10 X 45	12	MD 75	MD 139	10.6	3970	
96RT62	823	62	84	100	62 <sup>5</sup> / <sub>8</sub>	89 <sup>1</sup> / <sub>4</sub>	212 <sup>15</sup> / <sub>16</sub>	10 X 45	12	MD 75	MD 139	10.6	4400	
72RT80	797	80	93	76	67	97	196 <sup>11</sup> / <sub>16</sub>	10 X 45	16	MD 139	MD 139	13.2	4900	
96RT80	1062	80	93	100	67	97	220 <sup>11</sup> / <sub>16</sub>	10 X 45	16	MD 139	MD 139	13.2	5400	



see section 1  
page 1-12 for  
Standard Product  
offering