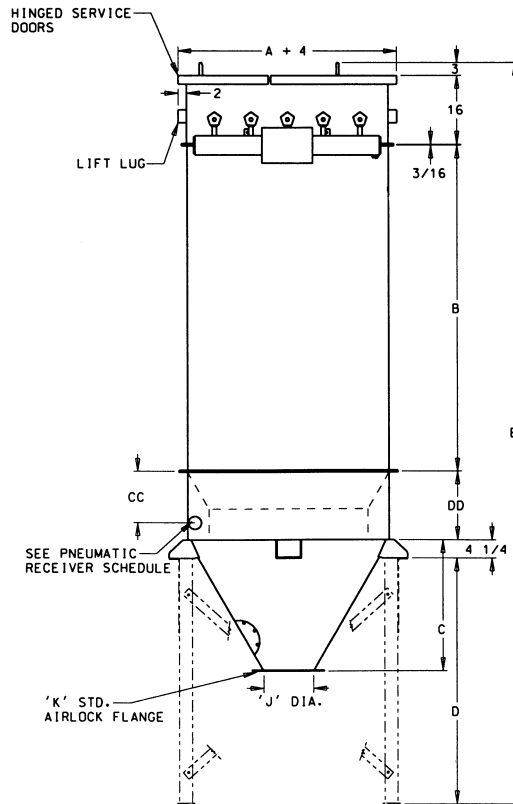
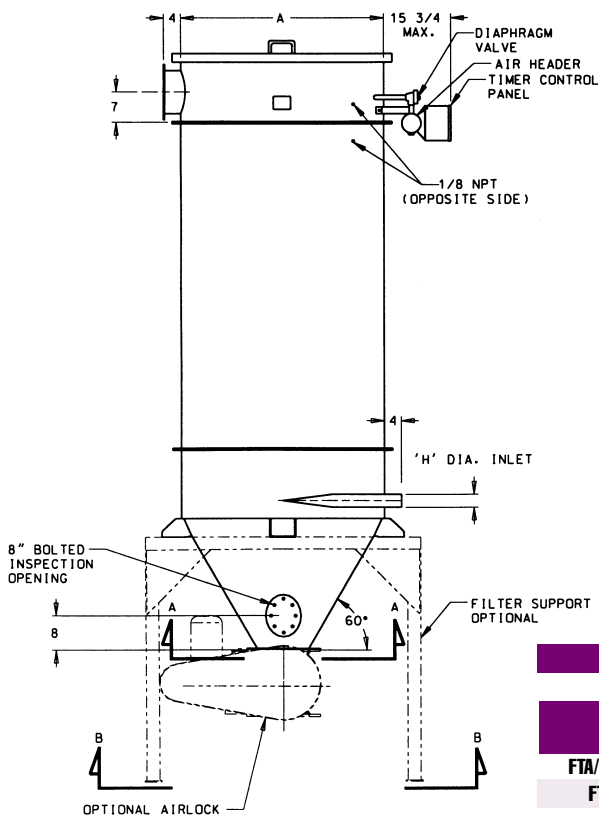


RT Filter with Pneumatic Receiver



When fitted with a pneumatic receiver, the MAC RT filter becomes an excellent product receiver. Product enters the filter and is discharged from the bottom through an airlock. Centrifugal force separates the product from the airstream and gently discharges it.

MAC offers this filter in two styles: without the hopper (Style II) the filter is ideally suited as a bin vent filter for storage tanks, work bins and surge hoppers. With a 60° hopper (Style III) the filter receives dust through the hopper inlet and discharges the collected dust through an airlock for dust disposal or recycling.



HOPPER SCHEDULE

Dimensions (IN.)

AIRLOCK FLANGE	'J' DIA. DISCHARGE	RT FILTER / 'C' DIMENSION							
		7	14	21	32	39	52	62	80
FTA/TRA-30, 9X9, MD20	8	17 ⁷ / ₁₆	27 ⁷ / ₈	33 ³ / ₈	45 ³ / ₁₆	~~~~~	~~~~~	~~~~~	~~~~~
FTA/TRA-60, MD40	10	15 ³ / ₄	26 ³ / ₈	32 ³ / ₁₆	43 ⁷ / ₁₆	48 ³ / ₈	53 ³ / ₈	64 ¹ / ₄	72
12X12, MD75	12	14	24 ³ / ₈	30 ⁷ / ₁₆	41 ¹¹ / ₁₆	46 ⁷ / ₈	52 ³ / ₈	62 ¹ / ₂	70 ¹ / ₄
15X15	14	~~~~~	~~~~~	28 ³ / ₄	40	45 ³ / ₈	50 ³ / ₈	60 ³ / ₄	68 ⁹ / ₁₆
15X15	15	~~~~~	~~~~~	27 ⁷ / ₈	39 ¹ / ₈	44 ³ / ₁₆	49 ¹ / ₂	59 ⁷ / ₈	67 ³ / ₄
MD139	16	~~~~~	~~~~~	27	38 ³ / ₄	43 ⁷ / ₁₆	48 ³ / ₈	59	66 ⁷ / ₈
18X18	18	~~~~~	~~~~~	25 ¹ / ₄	36 ¹ / ₂	41 ¹¹ / ₁₆	46 ⁷ / ₈	57 ⁵ / ₁₆	65 ³ / ₄
MD260	19	~~~~~	~~~~~	24 ³ / ₈	35 ⁵ / ₈	40 ⁷ / ₈	46	56 ⁷ / ₁₆	64 ³ / ₄
MD400	20	~~~~~	~~~~~	23 ¹ / ₂	34 ³ / ₄	40	45 ³ / ₈	55 ⁵ / ₁₆	63 ³ / ₈



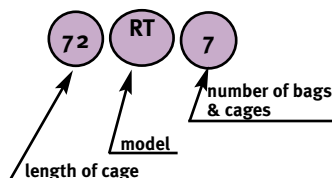
Standard Specifications

- Carbon steel or 304 stainless steel construction*
- Pneumatic receiver
- Rated to 40" w.c. static pressure
- Full welded exterior and skip welded interior
- Timing board enclosures: NEMA 12
- Top mounted hinged access doors
- Venturi nozzles and bag cups: mineral reinforced nylon
- Bag cages: galvanized carbon steel
- Bags: 16oz. singed dacron polyester
- Lifting lugs: Two on top plenum
- Inspection door:
 - Units with 18" long bags have an 18" x 17" tall bolted inspection panel
 - Units with bags longer than 18" have an 18" wide hinged inspection door
- Pressure differential gauge kit
- 60° hopper flanged to housing (Style III only)
- MAC white paint

*stainless steel includes housing, hopper and tubesheet with all carbon steel flanges and reinforced ribs

Options

- 316 stainless steel
- 10 gauge carbon steel construction rated to 20" static pressure
- 304 stainless steel flanges for 304 stainless steel filters
- High entry inlet with bag protectors
- 70° hopper slope (style III only)
- Aluminum Venturi
- NEMA 4, 7 or 9 timer enclosure
- Exhaust weather hood with birdscreen 4 x 4 mesh (Style II only)
- Carbon steel service platform with ladder and safety cage
- T-handle food grade door
- Structural steel legs, 12" clearance
- Flanged air inlet
- Mount pads
- Side mounted or top mounted fans (restrictions exist - please contact your MAC Sales Representative)



Each RT filter comes with an informational model number to better identify it.

MODEL	FILTER AREA	NO. OF BAGS	Dimensions (IN.)								MAXIMUM		WEIGHT LBS.	
			A	B	C	D	E	G	H	J	K	AIRLOCK		SCFM
18RT7	17	7	28	22	17 ⁷ / ₁₆	40 ³ / ₄	95 ³ / ₁₆	10 DIA.	3	8	MD 20	MD 40	3.3	570
36RT7	34	7	28	40	17 ⁷ / ₁₆	40 ³ / ₄	113 ³ / ₁₆	10 DIA.	3	8	MD 20	MD 40	3.3	720
54RT7	52	7	28	58	17 ⁷ / ₁₆	40 ³ / ₄	131 ¹ / ₁₆	10 DIA.	3	8	MD 20	MD 40	3.3	820
72RT7	69	7	28	76	17 ⁷ / ₁₆	40 ³ / ₄	149 ³ / ₁₆	10 DIA.	3	8	MD 20	MD 40	3.3	910
18RT14	34	14	40	22	26 ¹ / ₈	51	109 ⁷ / ₁₆	10 DIA.	5	10	MD 40	MD 40	4.7	990
36RT14	69	14	40	40	26 ¹ / ₈	51	127 ⁷ / ₁₆	10 DIA.	5	10	MD 40	MD 40	4.7	1100
54RT14	104	14	40	58	26 ¹ / ₈	51	145 ⁷ / ₁₆	10 DIA.	5	10	MD 40	MD 40	4.7	1290
72RT14	139	14	40	76	26 ¹ / ₈	51	163 ⁷ / ₁₆	10 DIA.	5	10	MD 40	MD 40	4.7	1440
96RT14	185	14	40	100	26 ¹ / ₈	51	187 ⁷ / ₁₆	10 DIA.	5	10	MD 40	MD 40	4.7	1570
36RT21	104	21	47	40	32 ³ / ₁₆	57	136 ⁷ / ₁₆	10 X 20	6	10	MD 40	MD 40	5.4	1690
54RT21	156	21	47	58	32 ³ / ₁₆	57	154 ⁷ / ₁₆	10 X 20	6	10	MD 40	MD 40	5.4	1920
72RT21	209	21	47	76	32 ³ / ₁₆	57	172 ⁷ / ₁₆	10 X 20	6	10	MD 40	MD 40	5.4	2090
96RT21	278	21	47	100	32 ³ / ₁₆	57	196 ⁷ / ₁₆	10 X 20	6	10	MD 40	MD 40	5.4	2340
54RT32	239	32	60	58	43 ⁷ / ₁₆	68 ³ / ₄	165 ¹¹ / ₁₆	10 X 20	6	10	MD 40	MD 40	6.5	2610
72RT32	318	32	60	76	43 ⁷ / ₁₆	68 ³ / ₄	183 ¹¹ / ₁₆	10 X 20	6	10	MD 40	MD 40	6.5	2890
96RT32	425	32	60	100	43 ⁷ / ₁₆	68 ³ / ₄	207 ¹¹ / ₁₆	10 X 20	6	10	MD 40	MD 40	6.5	3250
54RT39	291	39	66	58	48 ⁵ / ₈	73 ¹ / ₂	175 ¹¹ / ₁₆	10 X 30	8	10	MD 40	MD 40	7.5	3260
72RT39	388	39	66	76	48 ⁵ / ₈	73 ¹ / ₂	193 ¹¹ / ₁₆	10 X 30	8	10	MD 40	MD 40	7.5	3500
96RT39	518	39	66	100	48 ⁵ / ₈	73 ¹ / ₂	217 ¹¹ / ₁₆	10 X 30	8	10	MD 40	MD 40	7.5	3810
72RT52	518	52	72	76	53 ⁷ / ₈	78 ⁵ / ₈	199 ¹ / ₁₆	10 X 30	8	10	MD 40	MD 40	9.1	4080
96RT52	690	52	72	100	53 ⁷ / ₈	78 ⁵ / ₈	223 ¹ / ₁₆	10 X 30	8	10	MD 40	MD 40	9.1	4440
72RT62	617	62	84	76	62 ¹ / ₂	89 ³ / ₄	212 ¹¹ / ₁₆	10 X 45	10	12	MD 75	MD 139	10.6	4800
96RT62	823	62	84	100	62 ¹ / ₂	89 ³ / ₄	236 ¹¹ / ₁₆	10 X 45	10	12	MD 75	MD 139	10.6	5220
72RT80	797	80	93	76	66 ⁷ / ₈	97	220 ⁷ / ₁₆	10 X 45	10	16	MD 139	MD 139	13.2	5610
96RT80	1062	80	93	100	66 ⁷ / ₈	97	244 ⁷ / ₁₆	10 X 45	10	16	MD 139	MD 139	13.2	6060



Bags
page 3-39

Cages
page 3-39