

# Air Vent Square Cartridge (AVSC) Filter



The MAC Air Vent Square Cartridge (AVSC) filters offer the same advantages as MAC's AVS filter but contain POLIPLEET® Cartridges rather than bags and cages.

POLIPLEET® Cartridges are thermally stable with the same permeability and burst strength as a felt bag. The pleated cartridge design offers two to three times more cloth area than a comparable sized unit equipped with felt bags.

Increased savings on valuable floor space and lower head-room restrictions make the pleated design ideal where space is a problem. Most product applications allow the pleated cartridges to be washed and returned to the filter for additional use.

MAC offers this filter in two styles: without the hopper (Style II) the filter is ideally suited as a bin vent filter for storage tanks, work bins and surge hoppers. With a 60° hopper (Style III) the filter receives dust through the hopper inlet and discharges the collected dust through an airlock for dust disposal or recycling.

## Standard Specifications

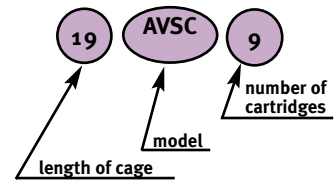
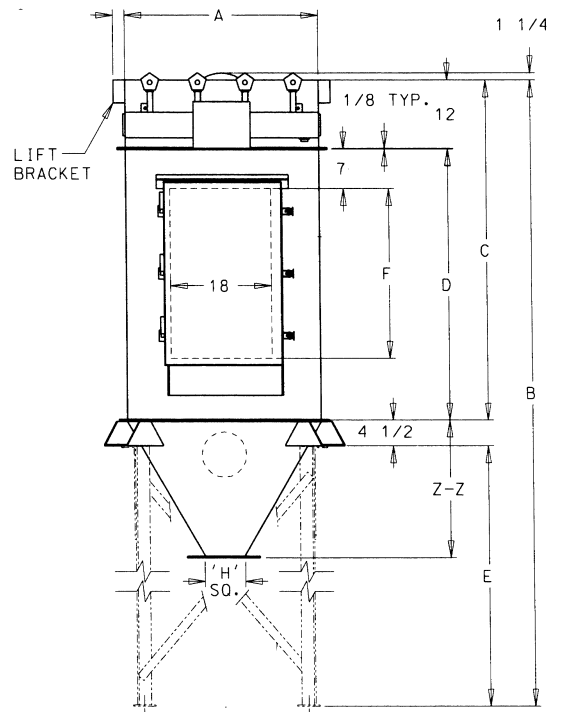
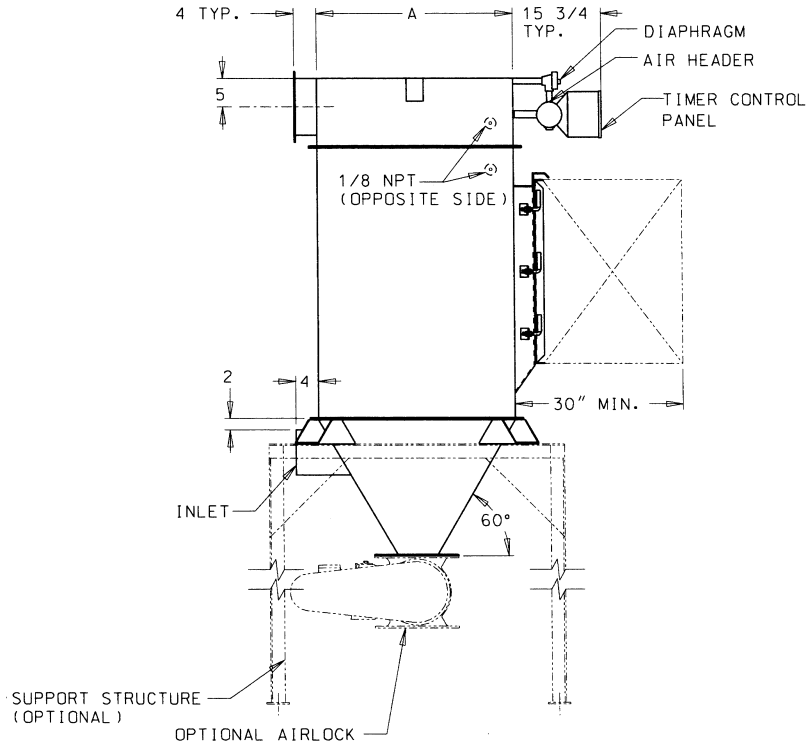
- 12 gauge carbon or 304 stainless steel construction\*
- Rated to 17" w.c. static pressure
- Full welded exterior
- Skip welded interior 96" bags and larger
- 36 cartridge units, and larger, have reinforced housing and tubesheet
- Broke lip flange on top plenum and housing
- Timing board enclosures: NEMA 12
- Lifting lugs: Two on top plenum
- Service door:
  - Units with 18" long bags have an 18" x 15" tall bolted inspection panel
  - Units with bags longer than 18" have an 18" wide hinged (to left side) inspection door
- Pressure differential gauge kit
- 60° hopper flanged to housing (Style III only)
- MAC white paint

\*stainless steel includes housing, hopper and tubesheet with all carbon steel flanges and reinforced ribs

## Options

- 316 stainless steel
- 10 gauge carbon steel construction rated to 20" static pressure
- 304 stainless steel flanges for 304 stainless steel filters
- High entry inlet with bag protectors
- 70° hopper slope
- Aluminum Venturi
- NEMA 4, 7 or 9 timer enclosure
- Exhaust weather hood with birdscreen 4 x 4 mesh (Style II only)
- Carbon steel service platform with ladder and safety cage
- T-handle food grade door
- Pneumatic noise reducers in solenoids
- Flanged air inlet
- Mount pads
- Side mounted or top mounted fans (restrictions exist - please contact your MAC Sales Representative)





Each AVSC filter comes with an informational model number to better identify it.

MODEL	FILTER AREA	NO. OF CARTRIDGES	Dimensions (IN.)							MAX. A/L	SCFM	WEIGHT LBS.
			A	B	C	D	E	F	G			
19AVSC9	177	9	26	82 $\frac{3}{8}$	40 $\frac{3}{8}$	28	38	20	10 DIA.	EMD 40	3.6	370
39AVSC9	355	9	26	102 $\frac{3}{8}$	60 $\frac{3}{8}$	48	38	30	10 DIA.	EMD 40	3.6	525
19AVSC16	315	16	34 $\frac{1}{2}$	90 $\frac{3}{8}$	40 $\frac{3}{8}$	28	46	20	10 DIA.	EMD 40	5.0	540
39AVSC16	630	16	34 $\frac{1}{2}$	110 $\frac{3}{8}$	60 $\frac{3}{8}$	48	46	30	10 DIA.	EMD 40	5.0	735
19AVSC25	493	25	43	98 $\frac{3}{8}$	40 $\frac{3}{8}$	28	54	20	10 DIA.	EMD 40	5.8	730
39AVSC25	985	25	43	118 $\frac{3}{8}$	60 $\frac{3}{8}$	48	54	30	10 DIA.	EMD 40	5.8	975
39AVSC36	1418	36	51 $\frac{1}{2}$	126 $\frac{3}{8}$	60 $\frac{3}{8}$	48	62	30	10 X 20	EMD 40	7.3	1260
39AVSC49	1931	49	60	134 $\frac{3}{8}$	60 $\frac{3}{8}$	48	70	30	10 X 36	EMD 75	8.5	1510
39AVSC64	2252	54	68 $\frac{1}{2}$	142 $\frac{3}{8}$	60 $\frac{3}{8}$	48	78	30	10 X 36	EMD 139	10.9	1890



see section 1  
page 1-10 for  
Standard Product  
offering