

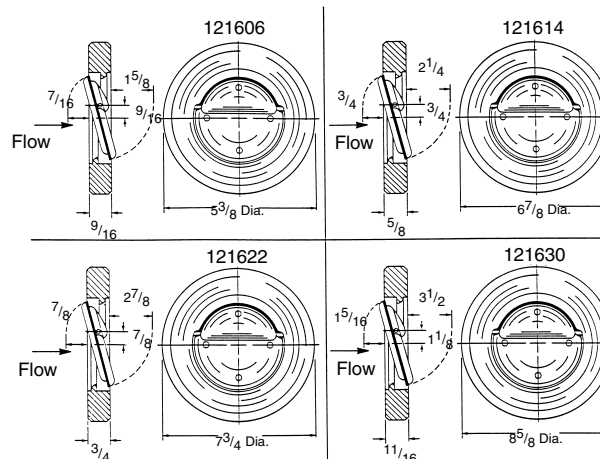
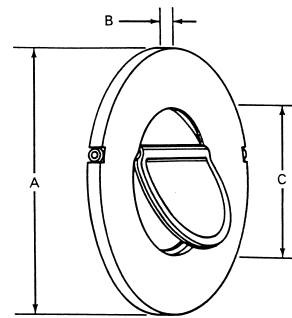
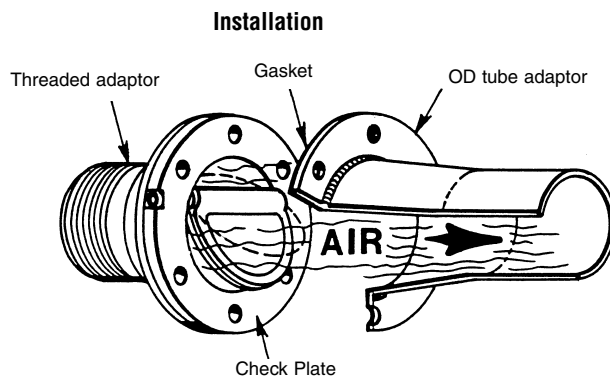
Accessories



Check Plates

Designed for protection of pneumatic air pumps to prevent conveyed material back flow into the pump in case of motor shut-down.

Check Plates are constructed of Aluminum body and disc, Teflon seat, Stainless Steel shaft and screws. Can fit line sizes 2" - 12".



Used on 6" line also.

DIMENSIONS (IN.)

MAC PART #	LINE SIZE TUBE O.D.*	OUTSIDE DIAMETER-A	THICKNESS-B	CHECK PLATE SIZE-C
121606	2 to 2 1/2	5 3/8	9/16	2 5/8
121614	3 to 3 1/2	6 7/8	5/8	3 9/16
121622	4 to 4 1/2	7 3/4	3/4	4 5/8
121630	5 to 6	8 5/8	1 1/16	5 1/2

*Range of tube sizes recommended for use with check plates.