

580 Blower Package

The MAC 580 series of vacuum producing blower packages has 5 models, in line sizes 4" through 10". Matched with a variety of motor horsepower choices this package can meet virtually every gas flow and pressure combination.

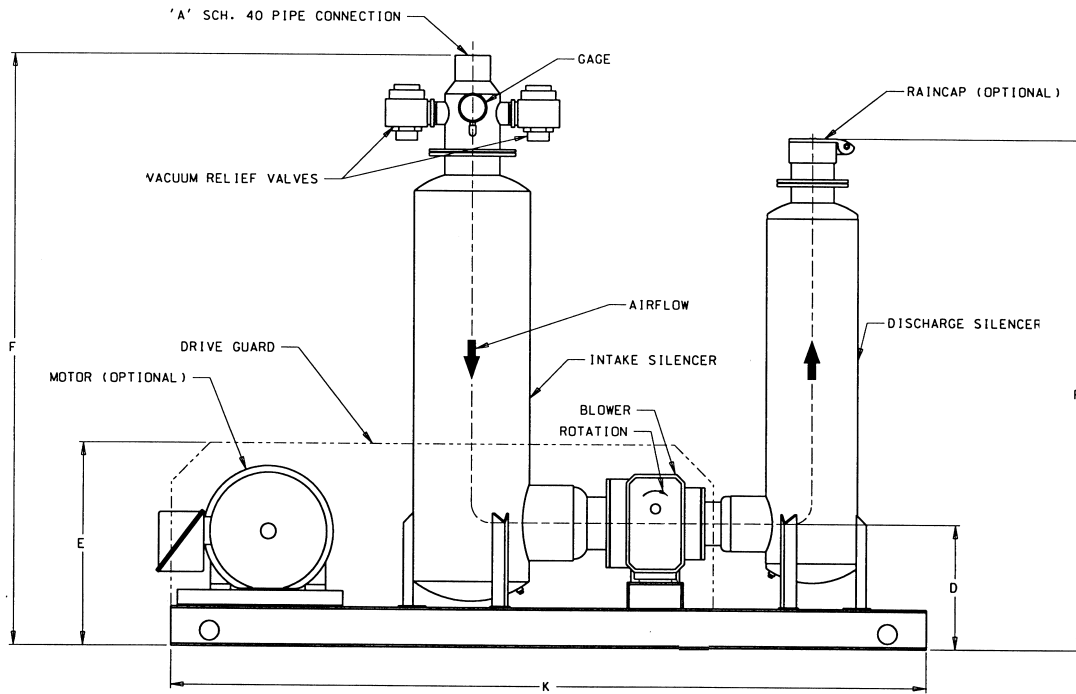
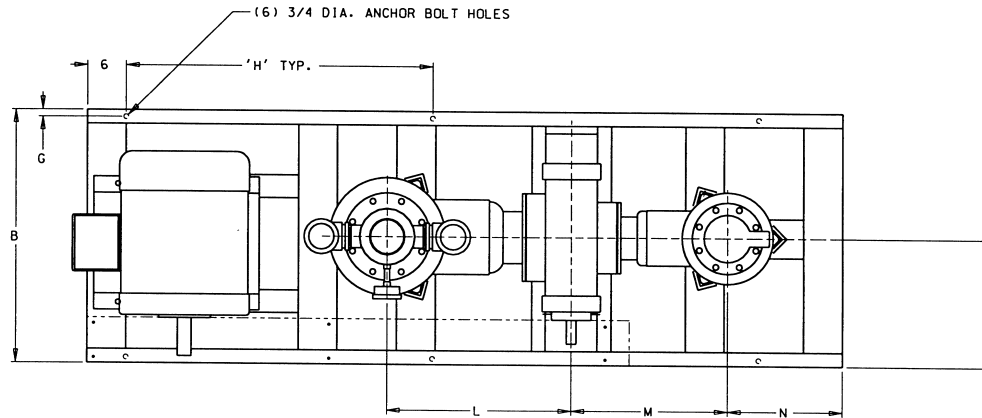
Designed for long life and easy service this package is available with a wide variety of blowers manufactured by Roots, Sutorbilt and Duroflow.

Standard Specifications

- Rotary positive displacement blower
- Galvanized steel structural base
- Adjustable motor mounting base
- V-belt drive
- OSHA standard aluminum drive guard
- Vacuum relief valve
- Discharge raincap
- Liquid filled vacuum gauge
- Chamber-absorptive type inlet and discharge silencers
- Factory assembled with all interconnecting hardware
- All blowers are rated for 15" Hg.
- All blower volumes are based on standard inlet conditions (14.7 PSIA, 70° F)

Options:

- Vacuum switch (Single or dual setpoint)
- Temperature switch
- Painted base
- Expansion joints
- Direct drive arrangement
- Tachometer
- Vibration isolation
- Acoustically treated drive guard and silencers
- Acoustical enclosure
- If noise levels must be guaranteed at less than 90 dBa, a sound enclosure or acoustic treated components will be necessary



Dimensions (IN.)

MODEL	A	B	C	D	E	F	G	H	K	L	M	N	P	WT. (LBS.)
584	4	36	16 ³ / ₄	17	26	78	7 ¹ / ₈	43 ¹ / ₂	99	21 ¹ / ₈	22 ⁵ / ₈	16 ⁷ / ₈	70 ³ / ₄	1230
585	5	39	19 ³ / ₄	19	31	91	7 ¹ / ₈	52 ¹ / ₂	117	28 ⁵ / ₈	24 ¹ / ₈	17 ¹ / ₈	78 ¹ / ₂	1600
586	6	42	19 ¹ / ₄	19 ¹ / ₂	31	91 ¹ / ₂	7 ¹ / ₈	57	126	29 ¹ / ₈	38 ¹ / ₂	13 ³ / ₄	84	2175
588	8	48	25 ³ / ₄	19 ¹ / ₂	31	103	7 ¹ / ₈	63	138	34 ³ / ₈	30 ³ / ₈	21 ¹ / ₈	84	2650
5810	10	60	31 ³ / ₄	26 ¹ / ₂	41	130 ³ / ₄	1	79	170	43 ³ / ₈	43 ³ / ₈	25 ¹ / ₈	115 ¹ / ₂	4800