

# 540 Blower Package

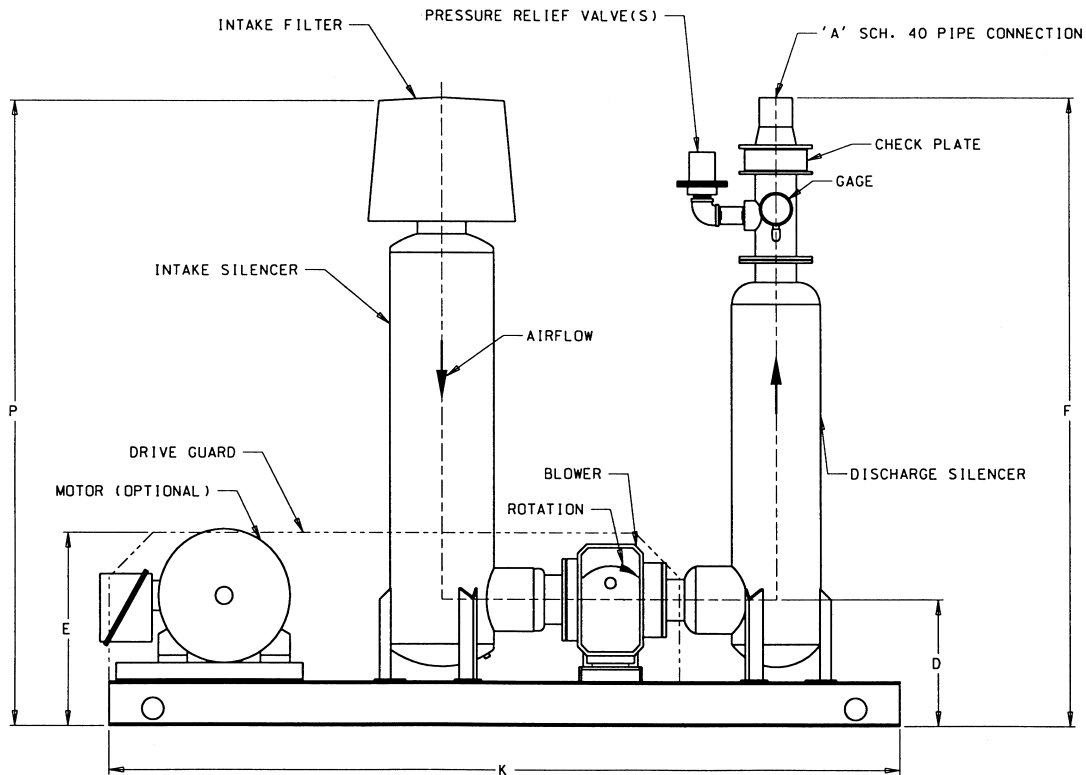
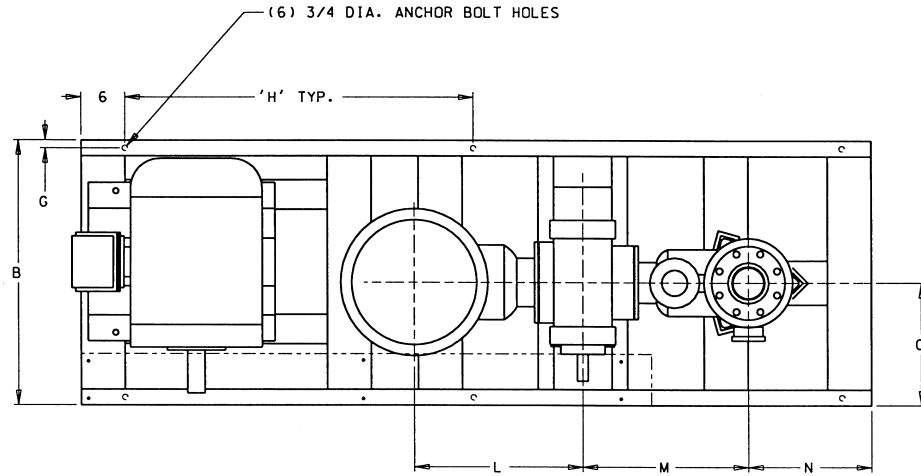
The MAC 540 Series of skid mounted pressure style blower packages provide a complete range of structural base packages to meet any need. The series consists of 5 standard models in line sizes of 4" to 10". A wide variety of blowers manufactured by Roots, Sutorbilt and Duroflow are available with this package.

## Standard Specifications

- Rotary positive displacement blower
- Galvanized carbon steel structural base
- Adjustable motor mounting base
- V-belt drive
- OSHA standard aluminum drive guard
- Pressure relief valve
- Check valve
- Liquid filled pressure gauge
- Chamber-absorptive type inlet and discharge silencers
- Inlet air filter
- Factory assembled with all interconnecting hardware
- All blowers are rated for 15 PSIG
- All blower volumes are based on standard inlet conditions (14.7 PSIA, 70° F)

## Options:

- Pressure switch (single or dual setpoint)
- Temperature switch
- Painted base
- Expansion joints
- Direct drive arrangement
- Tachometer
- Acoustically treated guard and silencers
- Vibration isolation
- Acoustically treated drive guard and silencers
- Acoustical enclosure
- If noise levels must be guaranteed at less than 90 dBa, a sound enclosure or acoustic treated components will be necessary.



Dimensions (IN.)

MODEL	A	B	C	D	E	F	G	H	K	L	M	N	P	WT. (LBS.)
544	4	36	16 <sup>3</sup> / <sub>4</sub>	17	26	85 <sup>1</sup> / <sub>4</sub>	7 <sup>1</sup> / <sub>8</sub>	48	108	23 <sup>1</sup> / <sub>8</sub>	22 <sup>1</sup> / <sub>8</sub>	16 <sup>7</sup> / <sub>8</sub>	85 <sup>1</sup> / <sub>4</sub>	1325
545	5	42	21 <sup>3</sup> / <sub>4</sub>	19 <sup>1</sup> / <sub>2</sub>	31	96 <sup>3</sup> / <sub>4</sub>	7 <sup>1</sup> / <sub>8</sub>	51	114	19 <sup>1</sup> / <sub>8</sub>	25 <sup>1</sup> / <sub>8</sub>	17 <sup>1</sup> / <sub>8</sub>	98 <sup>1</sup> / <sub>2</sub>	2000
546	6	51	21 <sup>3</sup> / <sub>4</sub>	19 <sup>1</sup> / <sub>2</sub>	31	101 <sup>1</sup> / <sub>8</sub>	7 <sup>1</sup> / <sub>8</sub>	59	130	29 <sup>1</sup> / <sub>8</sub>	38 <sup>1</sup> / <sub>2</sub>	13 <sup>3</sup> / <sub>4</sub>	97	2300
548	8	54	25 <sup>7</sup> / <sub>8</sub>	26 <sup>1</sup> / <sub>2</sub>	41	106 <sup>1</sup> / <sub>4</sub>	1	69	150	38 <sup>3</sup> / <sub>8</sub>	34 <sup>3</sup> / <sub>8</sub>	21 <sup>1</sup> / <sub>8</sub>	110 <sup>1</sup> / <sub>2</sub>	3625
5410	10	60	33	32 <sup>1</sup> / <sub>8</sub>	41	123	1	79 <sup>1</sup> / <sub>2</sub>	171	46 <sup>1</sup> / <sub>8</sub>	42 <sup>1</sup> / <sub>8</sub>	23 <sup>1</sup> / <sub>8</sub>	124 <sup>1</sup> / <sub>2</sub>	6550