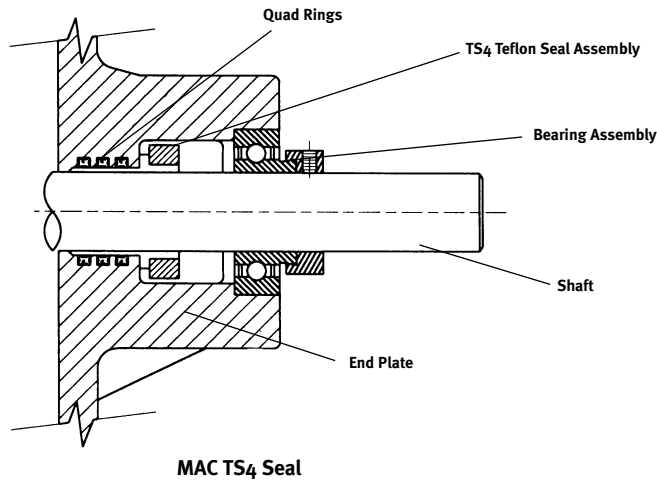


TS4 seal

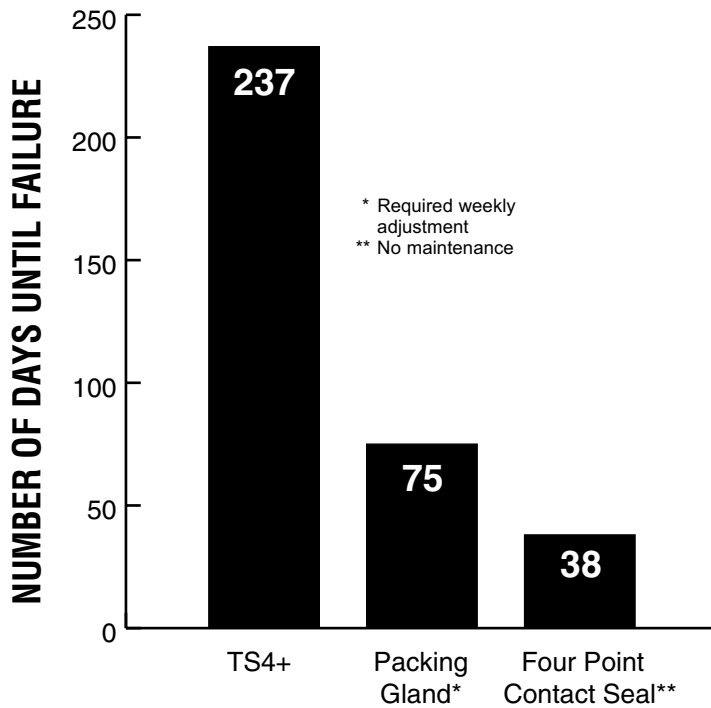


Superior Sealing TS4 Seal

The MAC TS4 requires no adjusting or maintenance and has the capacity to maintain a superior performance for up to 10 times longer than the typical three-ring packing gland seal.

This high quality seal therefore continually provides superior sealing even in severe operating conditions

The TS4 seals come standard on the MD and HE airlocks in regular (left) or high temperature (right). The TS4 seals are also available on the MAC HD airlock.



MAC TS4 Seal

Each of the airlocks tested was .40 CFR displacement; pressurized to 15 PSIG; turning at 18 RPM; pockets were filled with an abrasive PVC compound. Testing ended at seal failure.