

High Efficiency (HE) Airlocks



HE shown in MAC blue

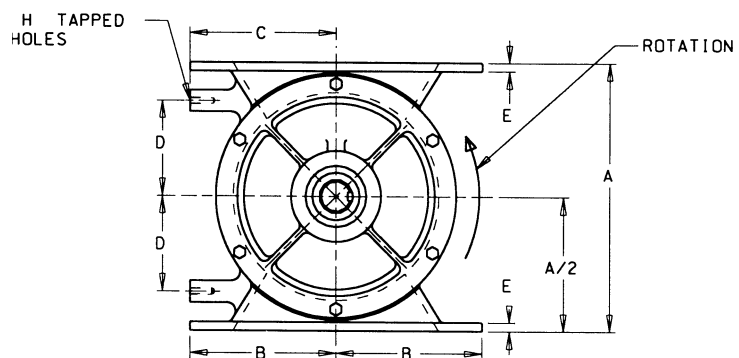
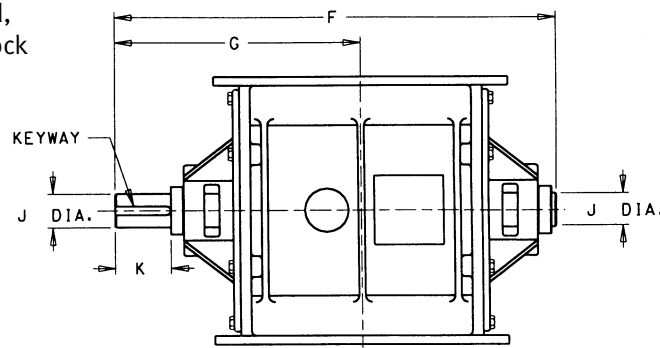
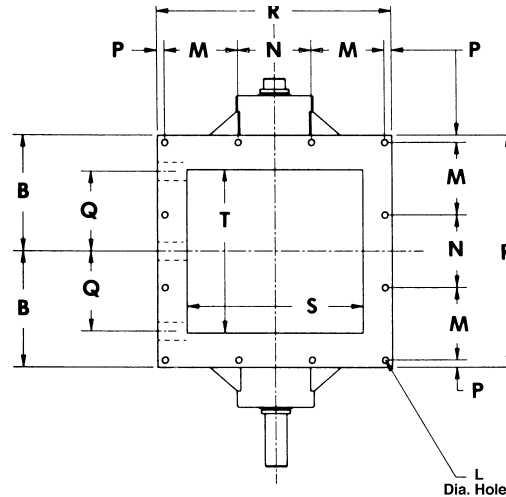
The MAC High Efficiency (HE) Airlock includes two TS4 Seals and a removable inspection door to provide easy access to the interior of airlock. The HE is equipped with an angled, cast inlet to reduce shear and distribute wear on the airlock and product.

Standard Specifications:

- Cast gray iron or stainless steel housing and end plates
- Carbon steel rotor
- Cast gray iron inspection panel
- TS4 shaft seals
- Outboard bearings
- Carbon steel open or closed end rotors:
 - Straight blade
 - Fixed relieved 1/8" land rotor tips
- Counter clockwise rotation from drive end
- Matching top and bottom flange drillings
- Rated up to 15 PSI pressure differential
- MAC white paint

Options:

- Adjustable tips
- Abrasion resistant coatings
- Stainless steel rotor
- 10 vane rotor
- Variable speed drives
- High temperature for service to 450° F



Dimensions are for an HE without drive package, please consult your MAC Sales Representative for dimensions for HE airlocks with right or parallel drives

| MODEL | CFR | Dimensions (IN.) | | | | | | | | | | | | | | | | | S | | T | | KEYWAY | WT LBS |
|----------|-----|------------------|--------|-------|----|-------|------|----------|--------|------------|--------|--------|------|-------|-------|-----|--------|-------|--------|--------|--------|--------|------------|-----------|
| | | SS | GI | B | C | D | E | F | G | H | J | K | L | M | N | P | Q | R | IN | OUT | IN | OUT | | |
| HE 7X7 | .1 | 9.000 | 9.125 | 4 7/8 | 5 | 3 | 5/16 | 19 | 10 5/8 | (4) 3/8-16 | 1 1/4 | 2 3/8 | 5/16 | 3 | 3 | 3/8 | 3 3/4 | 9 3/4 | 7 | 7 | 6 3/4 | 7 3/4 | 1/4 x 3/8 | 92 |
| HE 9X9 | .2 | 12.000 | 12.250 | 6 | 7 | 4 | 5/16 | 22 9/16 | 12 3/4 | (4) 3/8-16 | 1 1/2 | 3 3/16 | 3/8 | 3 5/8 | 3 3/4 | 1/2 | 4 3/8 | 12 | 8 | 8 | 7 3/4 | 8 3/4 | 3/8 x 3/16 | 161 |
| HE 12X12 | .6 | 16.000 | 16.500 | 8 | 8 | 5 1/2 | 3/8 | 26 13/16 | 14 7/8 | (6) 3/8-16 | 1 1/2 | 3 3/16 | 7/16 | 5 | 5 | 1/2 | 5 1/2 | 16 | 12 | 12 | 11 1/4 | 12 3/4 | 3/8 x 3/16 | 314 |
| HE 15X15 | 1.2 | 18.000 | 18.500 | 10 | 10 | 6 | 1/2 | 30 13/16 | 16 7/8 | (6) 3/8-16 | 1 5/16 | 3 1/4 | 7/16 | 6 1/8 | 6 1/4 | 3/4 | 7 | 20 | 15 1/4 | 15 1/4 | 14 | 15 1/4 | 1/2 x 1/4 | 490 |
| HE 18X18 | 2.0 | 24.000 | 24.000 | 12 | 12 | 6 1/4 | 5/8 | 34 1/4 | 18 5/8 | (6) 1/2-13 | 2 3/16 | 3 1/4 | 9/16 | 7 1/2 | 7 1/2 | 3/4 | 9 1/16 | 24 | 18 | 18 | 18 | 18 3/8 | 1/2 x 1/4 | 895 |

CFR = Cubic feet per revolution.