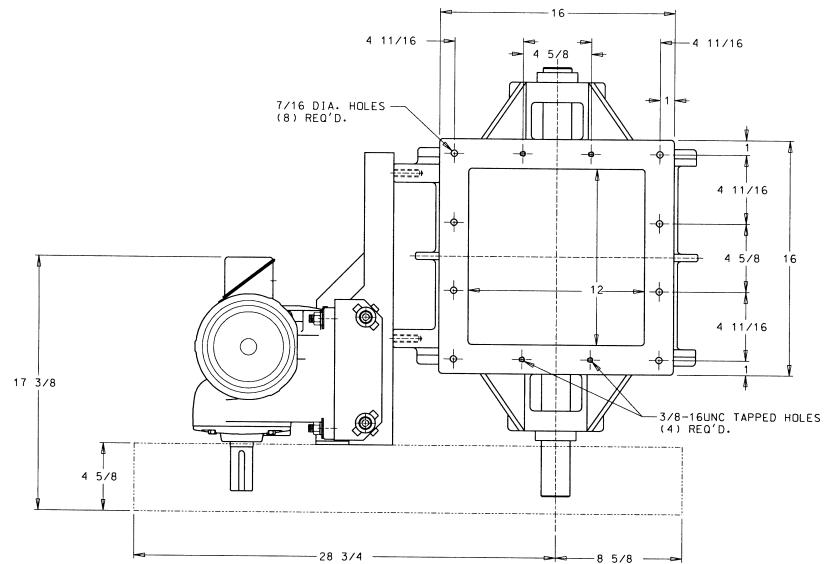


## Standard Products

# Heavy Duty (HD) Airlocks



The Heavy-Duty (HD) Airlock features a round inlet to square outlet\*. The HD is ideally suited for low and medium differential pressure systems, gravity or volumetric feeder discharge devices.

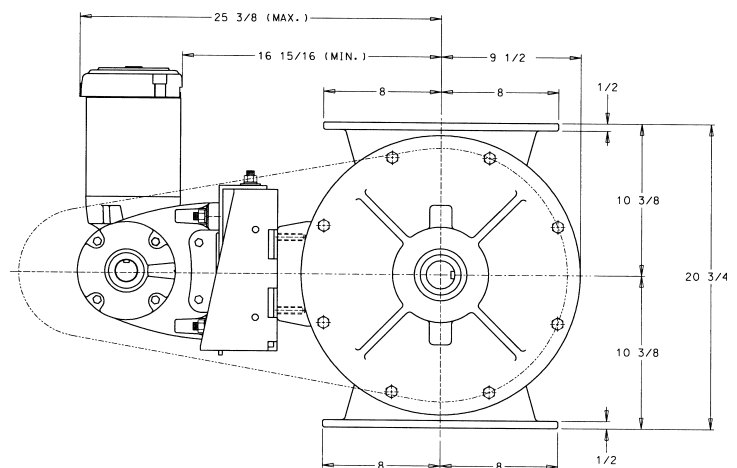
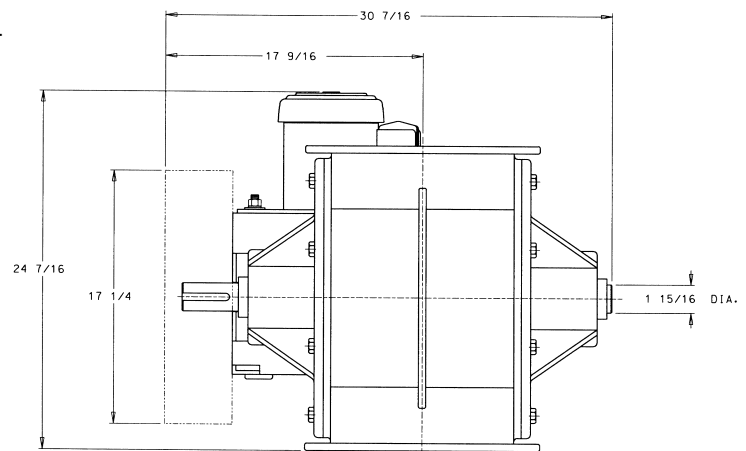
\*The HD16x12 model features square to square.

## Standard Specifications

- Cast gray iron, housing and end plates
- Double lip seal assembly
- Outboard sealed bearings
- Carbon steel rotor construction
- 8 vane, open end rotor with:
  - Fixed relieved 1/8" land rotor tips
  - Class I clearance
- Clockwise rotation from the drive end
- Gasket material on flanges to be silicone caulk
- MAC white paint

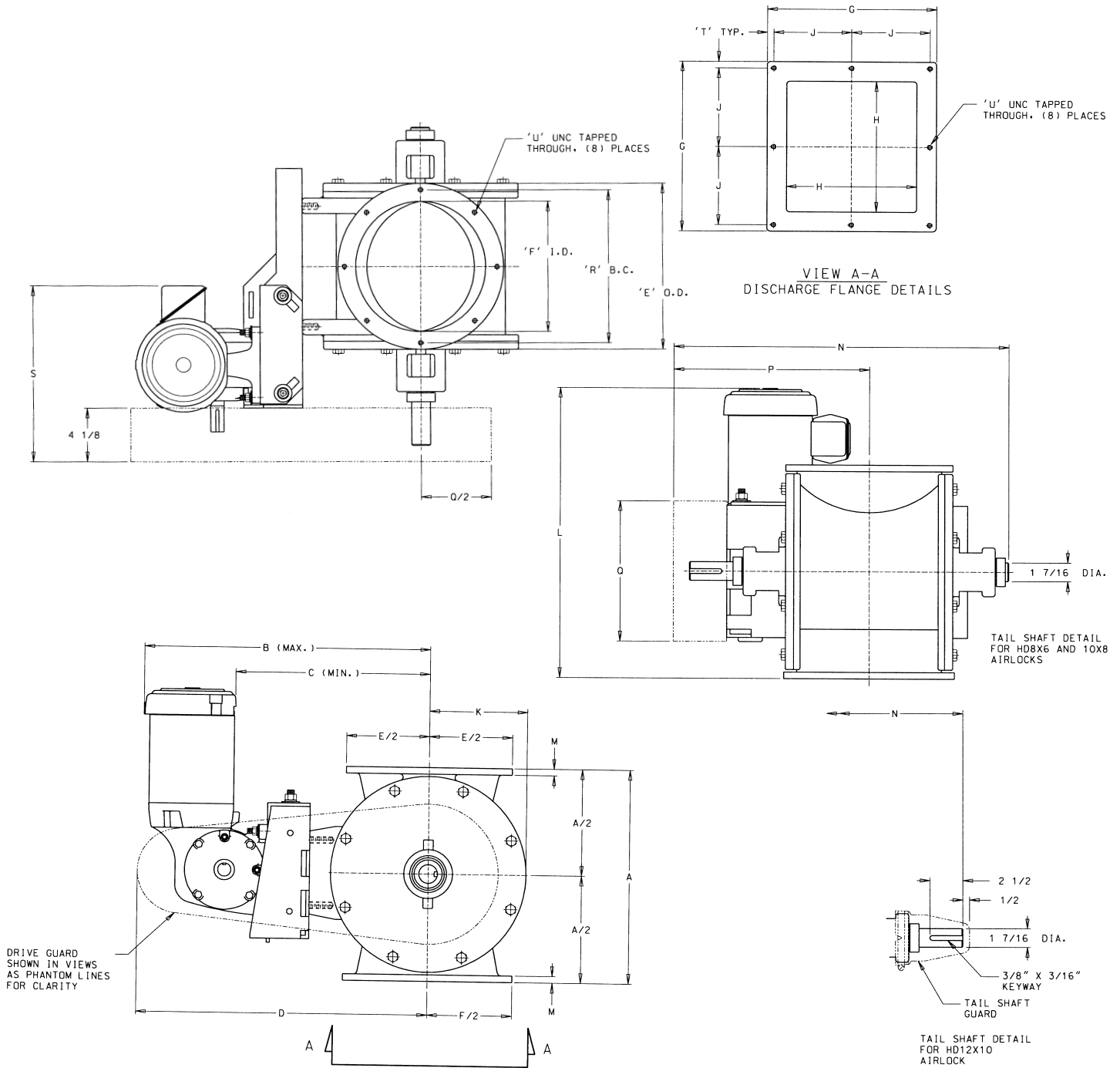
## With drive:

- 230/460/3/60 U.S. right angle Syncrogear, TEFC, motor
- Final drive is 18 RPM



Drawings on page 1-4 are of the HD 16x12 only. See page 1-5 for standard sizes 8x6, 10x8 and 12x10.

**MAC quality components, preconfigured and shipped within 2 weeks**



Dimensions (IN.)

MODEL	CFR	A	B	C	D	E	F	G	H	J	K	L	M	N	P	Q	R	S	T	U	WT/LBS	FRAME	PRODUCT #
HD 8X6	.17	11	18 <sup>19</sup> / <sub>32</sub>	10 <sup>7</sup> / <sub>8</sub>	18 <sup>3</sup> / <sub>4</sub>	9 <sup>7</sup> / <sub>8</sub>	6	9 <sup>3</sup> / <sub>4</sub>	6	4 <sup>7</sup> / <sub>8</sub>	5 <sup>5</sup> / <sub>8</sub>	18 <sup>5</sup> / <sub>16</sub>	3 <sup>7</sup> / <sub>8</sub>	21 <sup>11</sup> / <sub>16</sub>	13	10 <sup>3</sup> / <sub>4</sub>	8 <sup>3</sup> / <sub>4</sub>	13 <sup>17</sup> / <sub>32</sub>	3 <sup>4</sup> / <sub>8</sub>	3 <sup>1</sup> / <sub>16</sub> -18	225	56	M60001
HD 10X8	.34	12 <sup>7</sup> / <sub>8</sub>	19 <sup>15</sup> / <sub>32</sub>	11 <sup>3</sup> / <sub>4</sub>	18 <sup>3</sup> / <sub>4</sub>	11	8	11	8	4 <sup>3</sup> / <sub>4</sub>	5 <sup>13</sup> / <sub>16</sub>	19 <sup>1</sup> / <sub>4</sub>	3 <sup>7</sup> / <sub>8</sub>	23 <sup>9</sup> / <sub>16</sub>	13 <sup>7</sup> / <sub>8</sub>	10 <sup>3</sup> / <sub>4</sub>	9 <sup>1</sup> / <sub>2</sub>	13 <sup>17</sup> / <sub>32</sub>	3 <sup>4</sup> / <sub>8</sub>	3 <sup>1</sup> / <sub>16</sub> -18	275	143T	M60002
HD 12X10	.60	16 <sup>3</sup> / <sub>8</sub>	22 <sup>15</sup> / <sub>32</sub>	14 <sup>7</sup> / <sub>8</sub>	22 <sup>1</sup> / <sub>4</sub>	12 <sup>3</sup> / <sub>4</sub>	10	13	10	6	7 <sup>1</sup> / <sub>2</sub>	22 <sup>1</sup> / <sub>4</sub>	1 <sup>1</sup> / <sub>2</sub>	29 <sup>1</sup> / <sub>4</sub>	15 <sup>1</sup> / <sub>2</sub>	10 <sup>3</sup> / <sub>4</sub>	11 <sup>3</sup> / <sub>4</sub>	13 <sup>17</sup> / <sub>32</sub>	1 <sup>1</sup> / <sub>2</sub>	3 <sup>7</sup> / <sub>8</sub> -16	530	145T	M60003

CFR = Cubic feet per revolution.

**MAC quality components, preconfigured and shipped within 2 weeks**