

## Standard Products

# Multi-Duty (MD) Airlocks



The MAC Multi-Duty (MD) Airlock utilizes a hardened precision machined gray iron (Class 40) housing and endplates. The MD offers low maintenance due to the abrasion resistance of the Class 40 iron and the reliability of the TS<sub>4</sub> Seals.

The airlock is available with or without drive including either closed or open-end rotors. The MD continually meters even highly abrasive products into conveying lines or storage areas. It's low mounting height is ideal in applications with space restrictions.

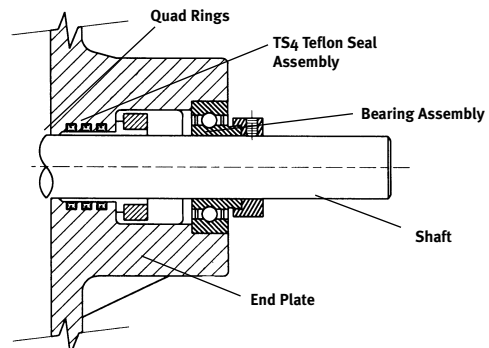
## Standard Specifications

- Cast class 40 gray iron, housing and end plates
- TS<sub>4</sub> Seal assembly (see right)
- Outboard sealed bearings
- Carbon steel rotor construction
- 8 vane open-end or closed-end rotor:
  - Fixed relieved 1/8" land rotor tips
  - Class I clearance
- Top and bottom flange drillings match, except where detailed
- Counter clockwise (CCW) rotation from drive end
- End plates tapped for cavity and shaft seal air purge
- Gasket material on flanges to be silicone caulk
- Temperature range: -45° F to 200° F
- MAC white paint

### With drive:

- 230/460/3/60 U.S. right angle Syncrogear, TEFC, motor
- Final drive is 18 RPM

MAC TS<sub>4</sub> Seal

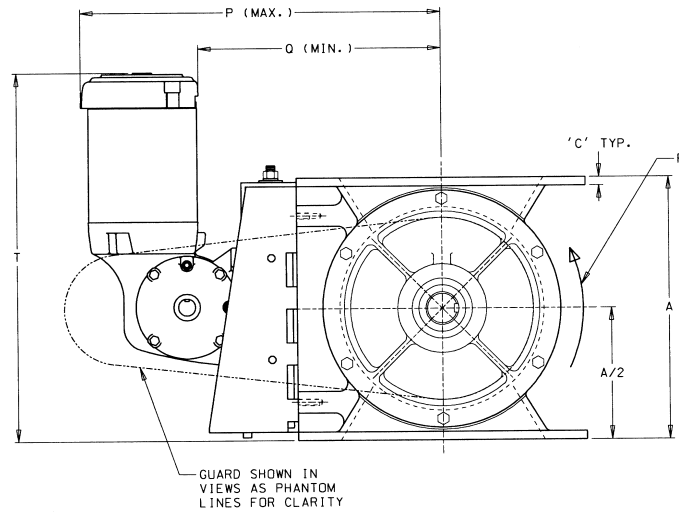
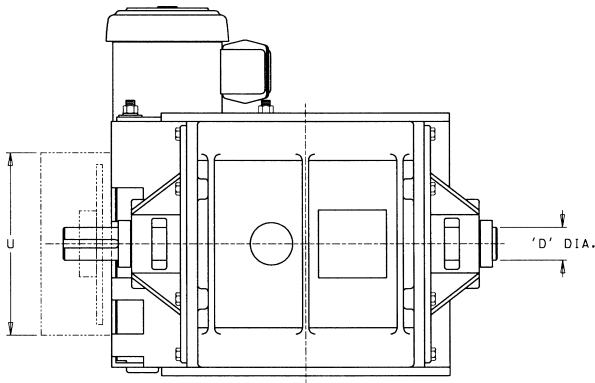
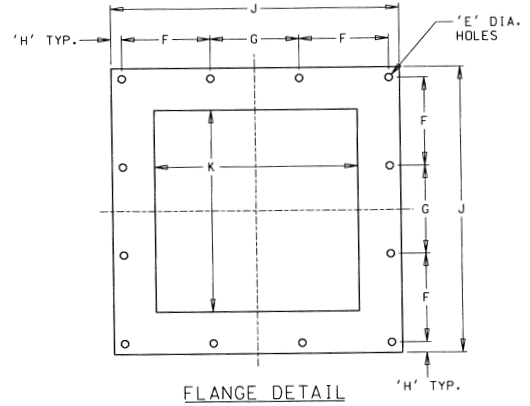
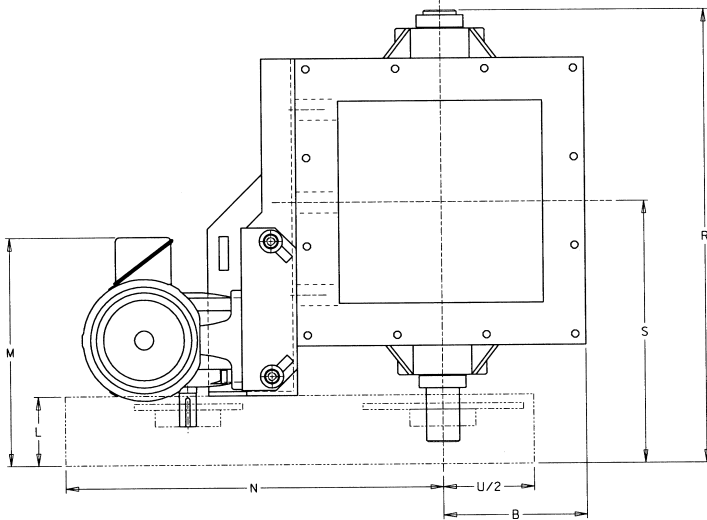


### Superior Sealing TS<sub>4</sub> Seal

The MAC TS<sub>4</sub> requires no adjusting or maintenance and has the capacity to maintain a superior performance up to 10 times longer than the typical three-ring packing gland seal.

This high quality seal therefore continually provides superior sealing for the MD Airlock even in severe operating conditions.

**MAC quality components, preconfigured and shipped within 2 weeks**



**Dimensions (IN.)**

Model	K										K									
	A	B	C	D	E	F	G	H	J	(INLET)	(OUTLET)	L	M	N	P	Q	R	S	T	U
MD-20	10 1/2	6	3/8	1 1/2	3/8	3 3/8	3 3/4	1/2	12	8	8 1/2	4 1/8	13 17/32	18 3/4	19 15/32	11 3/4	21 1/8	12 15/16	18 5/16	10 3/4
MD-40	12 3/4	7 3/8	3/8	1 1/2	7/16	4 1/4	4 1/4	1	14 3/4	10	10 1/2	4 1/8	13 17/32	18 3/4	20 27/32	13 3/8	24 1/4	14 5/16	19 7/16	10 3/4
MD-75	15 3/4	8 1/2	1/2	1 15/16	7/16	5 1/4	5 1/4	5/8	17	12	13	4 1/8	13 17/32	22 1/4	22 27/32	14	27 3/8	16 1/16	21 15/16	10 3/4
MD-139	19 1/2	10	1/2	1 15/16	7/16	6 1/8	6 1/4	3/4	20	15 3/4	15 3/4	4 1/8	14 1/32	28 3/4	23 23/32	15 1/2	29 11/16	17 1/8	23 13/16	17 1/4

Model	CFR		MOTOR			PRODUCT NO.	
	O.E.	C.E.	H.P.	FRAME	WT.	O.E.	C.E.
MD-20	.20	.18	3/4	56C	310	M50001	M50008
MD-40	.40	.36	3/4	56C	360	M50002	M50003
MD-75	.75	.68	1	56C	520	M50005	M50004
MD-139	1.39	1.25	2	145T	765	M50007	M50006

CFR = Cubic feet per revolution.

**MAC quality components, preconfigured and shipped within 2 weeks**