



MAC WG AIRLOCK

The MAC WG Airlock is a fabricated wiper style airlock. It has a fabricated non-machined housing with a 6-vane neoprene flex tip rotor. The WG airlock has a high capacity through-put and is ideal for handling wood, grain, and nuisance dust from a dust collector hopper discharge.

FEATURES

- Neoprene flex tip rotor
- Rated for -20" W. G. operation
- Fabricated housing
- Carbon steel construction
- Round inlet/outlet flanges
- Right angle gear box with chain drive



OPTIONS

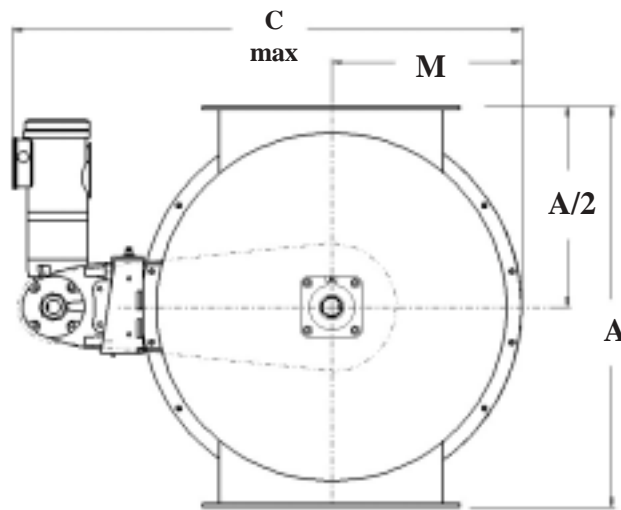
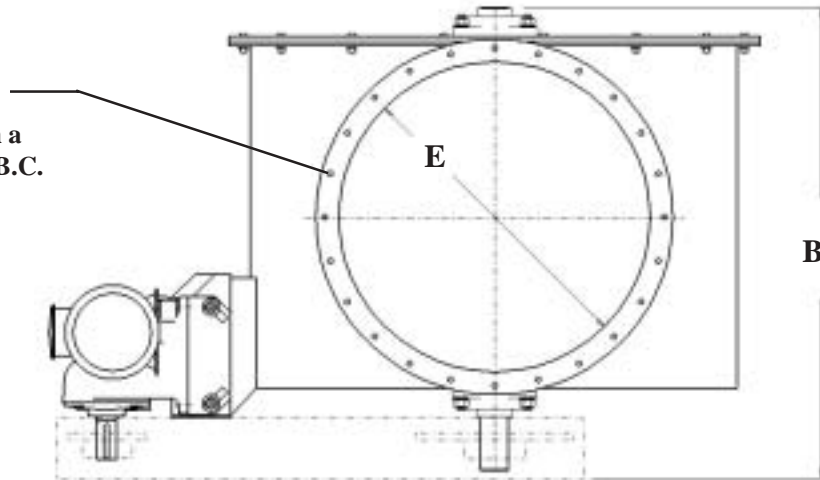
- Custom colors
- Custom bolt hole patterns
- Square inlet/outlet flanges

HIGH CAPACITY FABRICATED AIRLOCK

MAC WG Airlock Dimensions

MODEL	A	B	C	E	F	HSG BORE DIA	C.F.R.	HP	RPM	TOTAL WEIGHT LBS
WG08	19	20	29 5/8	8	10	13	0.65	3/4	24	466
WG10	23	21 1/4	33 3/4	10	12	17	1.43	3/4	24	545
WG10 EXT	23	26 5/8	34 11/16	10	12	17	1.43	1 1/2	24	549
WG12	27	23 7/8	38 1/16	12	14	21	2.58	1	24	631
WG16	33 1/4	27 7/8	44 9/16	16	18	27 1/4	5.68	1	24	811
WG20	37 1/4	32 5/16	48 5/8	20	22	31 1/4	9.17	1 1/2	24	1085
WG24	43 1/4	36 9/16	54 3/4	24	26 1/8	37 1/4	15.56	1 1/2	20	1325
WG30	61 1/2	43 15/16	72 11/16	30	32 1/8	55	42.51	2	14	1992

7/16 Dia Holes Equally spaced on a "F" Dia. B.C.



PLANT LOCATIONS

Sabetha, Kansas · Houston, Texas

SALES OFFICES

Kansas City, MO · 800-821-2476

Houston, TX · 800-955-7735

Service Center · 800-821-2476



7901 NW 107th Terrace

Kansas City, MO 64153-1910

816-891-9300

FAX 816-891-8978

e-mail: sales@macequipment.com

www.macequipment.com

For more information or an on-site evaluation, call

800-821-2476