

1-800-282-6999

- * Some hose sizes are available but not stocked — consult *Invincible*
- ** When ordering grounded hose, change last digit from 0 to 1

Crushproof Plastic

Crushproof Plastic

Lightweight, flexible, crush-resistant hose. Ideal for housekeeping applications and conveying light, non-abrasive materials. Constructed of ethylene vinyl acetone copolymer, this hose is non-conductive and not recommended for applications where static buildup is a concern. Comes with replaceable, screw-on cuffs.

Dia	WT/FT in LBS	Bend Radius	Temp. Range (°F)	10'	15'	25'	50'
1.5"	0.23	3"	-20	7115100	7115150	7115250	7115500
2.0"	0.34	4"	to	7120100	7120150	7120250	7120500
2.5"	0.47	6"	100	7125100	7125150	7125250	7125500
3.0"	0.70	12"	0 to 140	7130100	7130150	7130250	7130500

Flexible Plastic

Flexible Plastic

Lightweight, very flexible, wire reinforced hose. Designed for use in housekeeping or applications requiring repeated flexing. Utilizes high strength reinforcing yarns and a coated spring steel wire helix between layers of ethylene vinyl acetate or polyvinyl chloride (larger sizes). Can be grounded. Comes with replaceable, screw-on cuffs.

Dia	WT/FT in LBS	Bend Radius	Temp. Range (°F)	10'	15'	25'	50'
1.5"	0.20	1"	-20	7515100	7515150	7515250	7515500
2.0"	0.25	1"	to	7520100	7520150	7520250	7520500
2.5"	0.30	1"	120	7525100	7525150	7525250	7525500
3.0"	0.45	2"		7530100	7530150	7530250	7530500

Heavy Duty Corrugated PVC

Heavy Duty Corrugated PVC

Food grade, clear material handling hose. Intended for use in pneumatic conveying systems handling dry powders, pellets or granules. Designed with a convoluted cover for increased flexibility and a smooth bore to eliminate material build up, reduce wear and minimize pressure loss. Embedded copper static wire. Can be grounded. Comes with replaceable, screw-on cuffs.

Dia	WT/FT in LBS	Bend Radius	Temp. Range	10'	15'	25'	50'
1.5"	0.49	3"		7015100	7015150	7015250	7015500
2.0"	0.58	4"		7020100	7020150	7020250	7020500
2.5"	0.88	5"	14	7025100	7025150	7025250	7025500
3.0"	1.25	6"	to	7030100	7030150	7030250	7030500
4.0"	1.92	10"	104	7040100	7040150	7040250	7040500
5.0"	2.53	16"		7050100	7050150	7050250	7050500
6.0"	3.75	18"		7060100	7060150	7060250	7060500
8.0"	5.25	36"		7080100	7080150	7080250	7080500

Vinylife

Vinylife

Medium weight, flexible, wire reinforced hose. Can be used in most applications. Corrosion, oil and abrasion resistant with smooth inner bore. Constructed of vinyl cellular foam wall reinforced with multiple spirals of wire, woven with nylon cord. Can be grounded. Comes with glued cuffs.

Dia	WT/FT in LBS	Bend Radius	Temp. Range (°F)	10'	15'	25'	50'
1.5"	0.46	3"	-20	7715100	7715150	7715250	7715500
2.0"	0.62	5"	to	7720100	7720150	7720250	7720500
2.5"	0.80	6"	210	7725100	7725150	7725250	7725500
3.0"	1.00	7"		7730100	7730150	7730250	7730500

Metal Flex Stainless Steel

Metal Flex Stainless Steel

Stainless steel strip, flexible metal hose. Suitable for high temperature or corrosive applications. Constructed of 304 stainless steel (.017" - .020" thickness) spiral wound interlocking strip, with stainless steel wire packing inserted in the groove of the hose. Static conductive.

Dia	WT/FT in LBS	Bend Radius	Temp. Range (°F)	10'	15'	25'	50'
1.5"	0.85	11"	0	7915100	7915150	7915250	7915500
2.0"	1.15	13"	to	7920100	7920150	7920250	7920500
2.5"	1.44	17"	1200	7925100	7925150	7925250	7925500

Heavy Duty Smooth Rubber

Heavy wall, wire reinforced rubber hose. Ideal for pneumatic conveying systems handling abrasive materials. Special EPDM compound and smooth bore resist abrasion and result in long life. Heavy steel spring wire helix and fabric reinforcement provide crush resistance and durability. Static dissipating. Can be grounded. Comes with integral molded cuffs.

Dia	WT/FT in LBS	Bend Radius	Temp. Range (°F)	10'	15'	25'	50'
1.5"	0.71	3"	0	7315100	7315150	7315250	7315500
2.0"	0.88	4"	to	7320100	7320150	7320250	7320500
2.5"	1.12	5"	212	7325100	7325150	7325250	7325500
3.0"	1.32	6"		7330100	7330150	7330250	7330500

Heavy Duty Corrugated Rubber

Heavy duty, corrugated exterior, wire reinforced rubber hose. Recommended for handling abrasive materials when flexibility is desired. Special EPDM compound and smooth bore resist abrasion and result in long life. Heavy steel spring wire helix and fabric reinforcement provide crush resistance and durability. Static dissipating. Can be grounded. Comes with integral molded cuffs.

Dia	WT/FT in LBS	Bend Radius	Temp. Range (°F)	10'	15'	25'	50'
1.5"	0.42	3"		7615100	7615150	7615250	7615500
2.0"	0.53	3"	0	7620100	7620150	7620250	7620500
2.5"	0.66	4"	to	7625100	7625150	7625250	7625500
3.0"	0.77	4"	212	7630100	7630150	7630250	7630500
4.0"	1.39	7"		7640100	7640150	7640250	7640500
5.0"	2.47	10"	-40	7650100	7650150	7650250	7650500
6.0"	3.08	18"	to	7660100	7660150	7660250	7660500
8.0"	5.65	36"	158	7680100	7680150	7680250	7680500

Heavy Duty Smooth Neoprene

Heavy wall, wire reinforced neoprene rubber hose. Same construction as Heavy Duty Smooth Rubber, but utilizes neoprene compound to provide oil resistance. Our most static dissipating hose. Can be grounded. Comes with integral molded cuffs.

Dia	WT/FT in LBS	Bend Radius	Temp. Range (°F)	10'	15'	25'	50'
1.5"	0.78	3"	0	N/A	7215150	7215250	N/A
2.0"	0.97	4"	to	N/A	7220150	7220250	N/A
2.5"	1.23	5"	212	N/A	7225150	7225250	N/A
3.0"	1.45	6"		N/A	7230150	7230250	N/A

Heavy Duty Smooth Nordell

Heavy wall, wire reinforced nordell hose. Same construction as Heavy Duty Smooth Rubber, but utilizes nordell compound to withstand higher temperatures. Static dissipating. Can be grounded. Comes with integral molded cuffs.

Dia	WT/FT in LBS	Bend Radius	Temp. Range (°F)	10'	15'	25'	50'
1.5"	0.76	3"	0	N/A	7815150	7815250	N/A
2.0"	0.97	4"	to	N/A	7820150	7820250	N/A
2.5"	1.19	5"	300	N/A	7825150	7825250	N/A
3.0"	1.37	6"		N/A	7830150	7830250	N/A

Super Flex Corrugated Rubber

Light weight, extremely flexible wire reinforced rubber hose. Constructed of 3/32" SBR rubber smooth bore tube and corrugated exterior cover, reinforced with synthetic fabric and spring steel flat wire helix. Recommended for most applications, particularly when operators must use large diameter hoses for extended periods. Static dissipating. Comes with integral molded cuffs.

Dia	WT/FT in LBS	Bend Radius	Temp. Range (°F)	10'	15'	25'	50'
2.0"	0.75	3"		7420100	7420150	7420250	7420500
2.5"	0.92	4"		7425100	7425150	7425250	7425500
3.0"	1.10	5"	-20	7430100	7430150	7430250	7430500
3.5"	1.50	6"	to	7435100	7435150	7435250	7435500
4.0"	1.75	7"	180	7440100	7440150	7440250	7440500
5.0"	2.40	9"		7450100	7450150	7450250	7450500
6.0"	3.00	12"		7460100	7460150	7460250	7460500
8.0"	5.84	30"		7480100	7480150	7480250	7480500

- * Some hose sizes are available but not stocked - consult *Invincible*
- ** When ordering grounded hose, change last digit from 0 to 1

Heavy Duty Smooth Rubber

Heavy Duty Corrugated Rubber

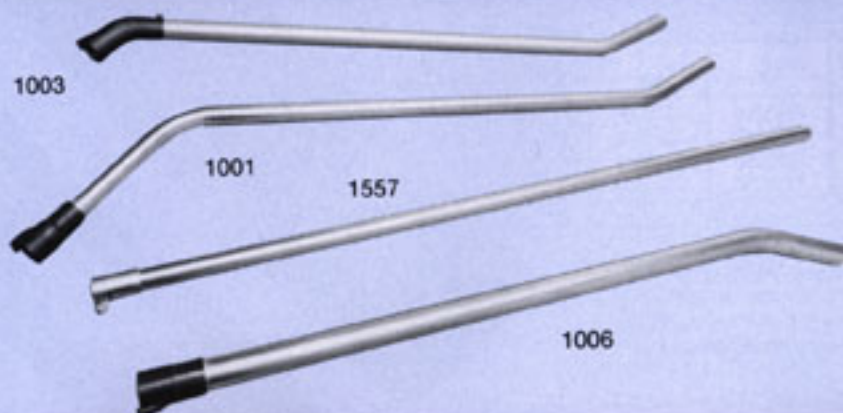
Heavy Duty Smooth Neoprene

Heavy Duty Smooth Nordell

Super Flex Corrugated Rubber

Industrial Duty Tools

Floor Rods



1.5" Aluminum Floor Rod with tool swivel	1003
1.5" Steel Floor Rod with tool swivel	1004
Swivel only for 1003 or 1004	1067
Aluminum Rod only for 1003	1005
Steel Rod only for 1004	1725
1.5" Double Bend Aluminum Floor Rod with tool swivel	1001
1.5" Double Bend Steel Floor Rod with tool swivel	1002
Swivel only for 1001 or 1002	1615
1.5"x5' Alum Extension Rod with compression coupling	1557
Compression coupling only for 1557	1000
2.0" Aluminum Floor Rod with tool swivel	1006
2.0" Steel Floor Rod with tool swivel	1007
Swivel only for 1006 or 1007	2142

Floor Tools



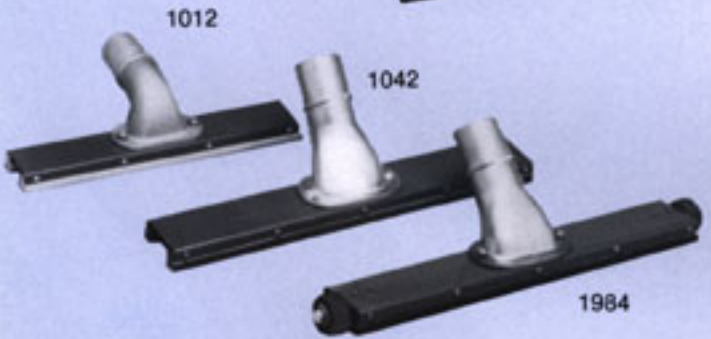
12" Carpet Tool - rubber bumper protects furniture. Tool face is slotted for easy pickup of threads, lint, etc. Available for 1.5" hose only.

Complete Tool	2212
Replacement Rubber Bumper	2213

15" Squeegee Tool - easily picks up liquids from smooth surfaces. Available for 1.5" hose only.

Complete Tool	2395
Replacement Rubber Blade (2 Req'd)	1028

Bare Floor Tools - use felt face for highly finished floors, fibre face for ordinary abrasive floors, or steel face for severe industrial use.



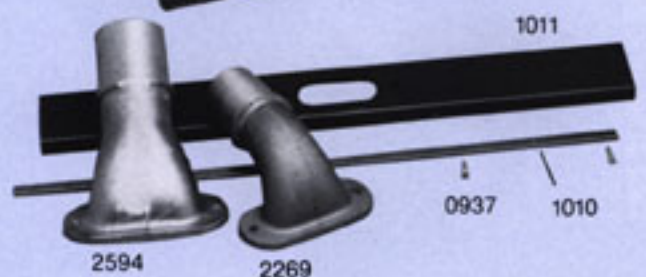
Tool Width Hose Dia	13"		18"		24"	
	1.5"	2.0"	1.5"	2.0"	1.5"	2.0"
Complete Tool with felt face	1012	1033	1019	1040	2340	1047
Replacement felt strip (2 req'd)	1013	1013	1020	1020	1027	1027
Complete Tool with fibre face	1014	1035	1021	1042	1048	1049
Replacement fibre strip (2 req'd)	1015	1015	1022	1022	1050	1050
Complete Tool with steel face	1016	1037	1023	1044	N/A	N/A
Replacement steel strip (2 req'd)	1017	1017	1024	1024	N/A	N/A
Complete Tool with fibre face and wheels	1981	1982	1983	1984	1985	1986

Brush Tools - used for general cleanup of most surfaces. Very useful when dirt and debris adhere to floor. Bristle types not shown below and tools with aluminum channels are available by special order.



Tool Width Hose Dia	13"		18"		24"	
	1.5"	2.0"	1.5"	2.0"	1.5"	2.0"
Steel Floor Brush with nylon bristles	2271	2516	2273	2517	2280	2518
Replacement Nylon Bristle Strip (2 req'd)	1018	1018	1025	1025	1026	1026
Steel Floor Brush with wire bristles	2222	2223	2224	2225	2226	2227
Replacement Wire Bristle Strip (2 req'd)	1119	1119	1122	1122	1132	1132

Replacement parts for above tools.

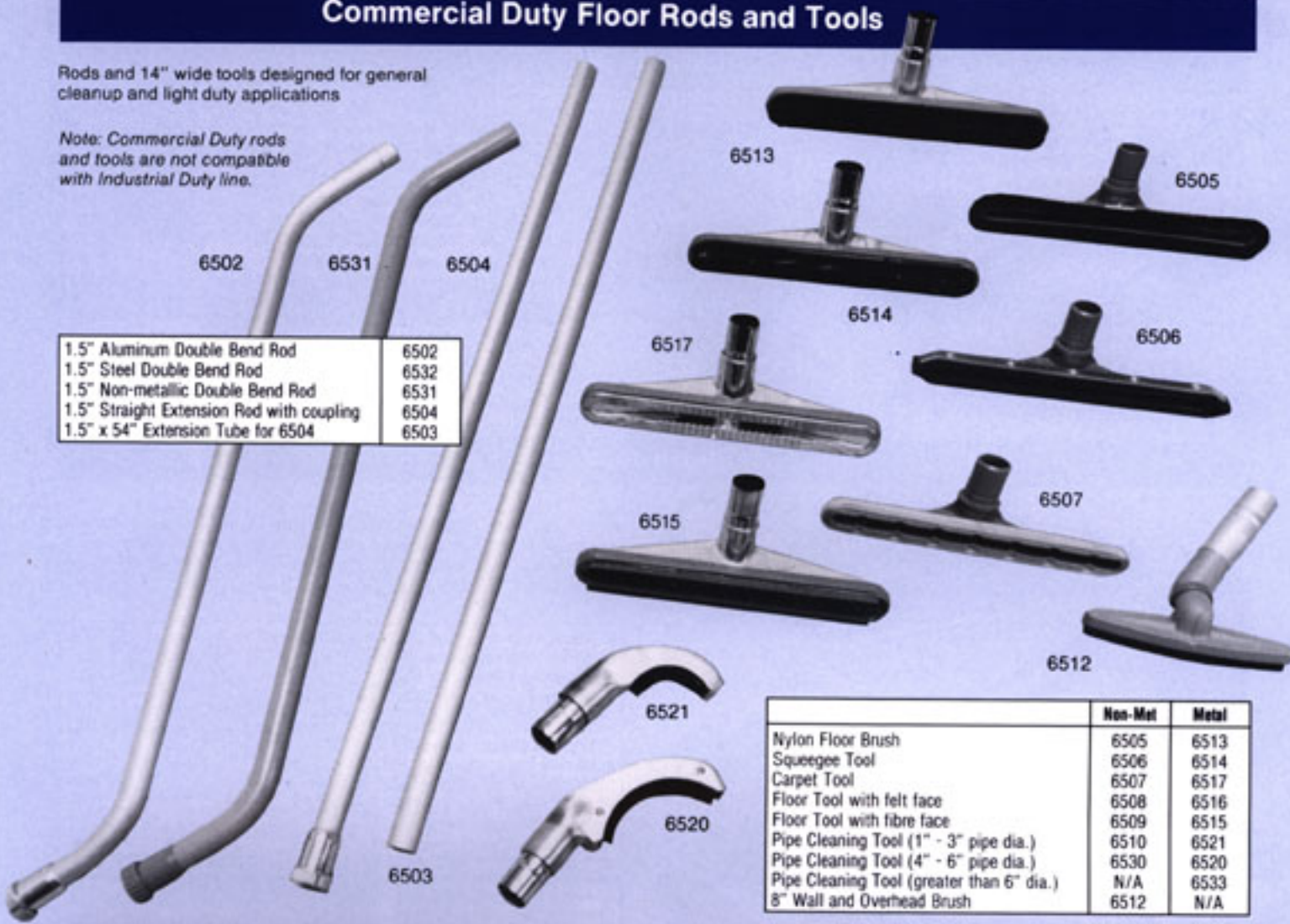


Tool Width Hose Dia	13"		18"		24"	
	1.5"	2.0"	1.5"	2.0"	1.5"	2.0"
Top Casting	2269	2594	2269	2594	2269	2594
Channel (Shoe)	1009	1030	1011	1032	1404	1715
Steel Clamping Strips (for felt only)	1008	1008	1010	1010	1938	1938
Screws (To attach top casting)	0937	0937	0937	0937	0937	0937

Commercial Duty Floor Rods and Tools

Rods and 14" wide tools designed for general cleanup and light duty applications

Note: Commercial Duty rods and tools are not compatible with Industrial Duty line.



1.5" Aluminum Double Bend Rod	6502
1.5" Steel Double Bend Rod	6532
1.5" Non-metallic Double Bend Rod	6531
1.5" Straight Extension Rod with coupling	6504
1.5" x 54" Extension Tube for 6504	6503

	Non-Met	Metal
Nylon Floor Brush	6505	6513
Squeegee Tool	6506	6514
Carpet Tool	6507	6517
Floor Tool with felt face	6508	6516
Floor Tool with fibre face	6509	6515
Pipe Cleaning Tool (1" - 3" pipe dia.)	6510	6521
Pipe Cleaning Tool (4" - 6" pipe dia.)	6530	6520
Pipe Cleaning Tool (greater than 6" dia.)	N/A	6533
8" Wall and Overhead Brush	6512	N/A

Hose Couplings



Camlock "quick disconnect" hose couplings to connect hose to auxiliary collector or vacuum (use female and threaded male) or a second hose of the same diameter. Recommended for large hoses. Aluminum construction standard; plastic or stainless steel available.

Size	Threaded Male		Male		Female	
	P/N	WL	P/N	WL	P/N	WL
1.5"	0691	0.45	0489	0.46	0692	0.74
2.0"	0176	0.65	0502	0.68	0178	1.00
2.5"	0976	0.95	0633	0.90	0180	1.30
3.0"	0191	1.24	0557	1.30	3146	2.20
4.0"	0172	2.00	0837	2.12	3134	2.90
5.0"	0820	2.86	0436	3.00	0410	3.63
6.0"	0693	3.60	0944	5.15	0694	6.25

Steel hose branches to connect a vacuum line with two or three vacuum lines.

1.5" Main, 1.5" Laterals	1156
2.0" Main, 1.5" Laterals	1157
2.0" Main, 2.0" Laterals	0413
2.5" Main, 1.5" Laterals	0466
3.0" Main, 2.0" Laterals	1158
3.0" Main, 1.5" Laterals	1160
4.0" Main, 3.0" Laterals	0984
3.0" Main, (3) 1.5" Laterals	0482

Straight 6" hose couplings to connect two hoses of the same diameter.

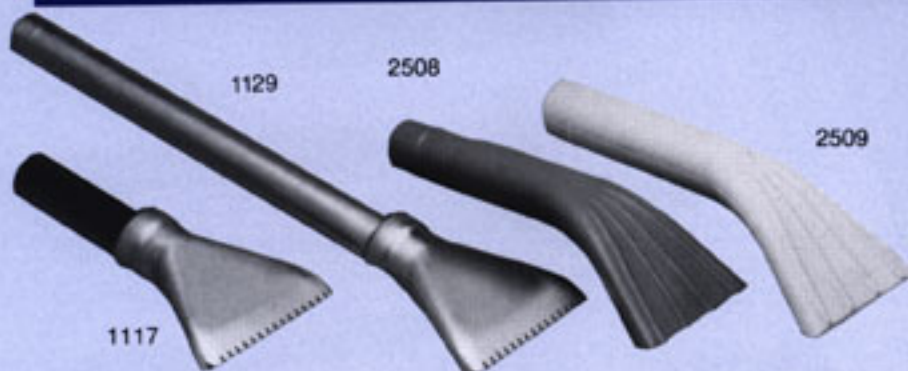
	Steel	Aluminum
1.5" Hose Coupling	1148	1144
2.0" Hose Coupling	1149	1145
2.5" Hose Coupling	1150	1146
3.0" Hose Coupling	1151	1147
3.5" Hose Coupling	1051	1242
4.0" Hose Coupling	0997	0998

Steel reducer hose couplings to connect two hoses of different diameters.

2.0" to 1.5" Reducer Coupling	1141
2.5" to 2.0" Reducer Coupling	1142
3.0" to 2.0" Reducer Coupling	1143
3.0" to 2.5" Reducer Coupling	1365
3.5" to 2.5" Reducer Coupling	1349
3.5" to 3.0" Reducer Coupling	3504
4.0" to 3.0" Reducer Coupling	3500
4.0" to 3.5" Reducer Coupling	1038

Industrial Duty Hand Tools

Utility Tools



These heavy-duty tools are designed for vacuuming materials from around machinery, bins, work tables, or off of flooring. Recommended for car wash applications. Use with 1 1/2" hose unless otherwise noted.

6" Aluminum Non-Swivel Wand	1115
18" Aluminum Non-Swivel Wand	1127
6" Aluminum Swivel Wand	1117
18" Aluminum Swivel Wand	1129
Aluminum Slotted Tool only	1133
6" Replacement Wand with swivel ring	1118
18" Replacement Wand with swivel ring	1130
1.5" x 4.5" Non-Metallic Hand Tool	2508
2.0" x 4.5" Non-Metallic Hand Tool	2509
1.5" x 6" Cast Iron Hand Tool with non-slotted tool	1108
2.0" x 6" Cast Iron Hand Tool with non-slotted tool	1109

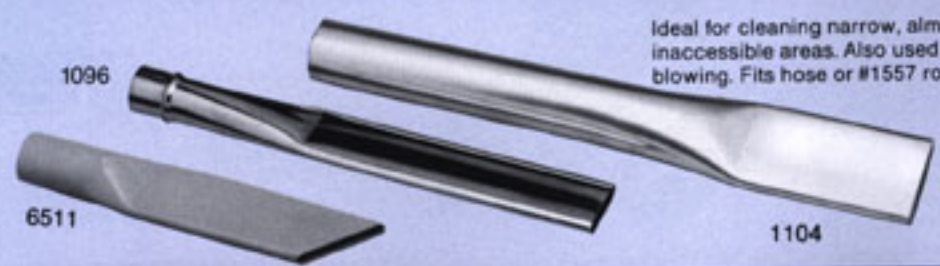
Brush Tools



Attached directly to hose for hand cleaning, these tools are perfect for miscellaneous cleaning of dry materials without scratching surfaces. #1056 can be used with #1557 rod for overhead wall or pipe cleaning. For use with 1 1/2" hose.

6" Round Aluminum Adjustable Brush with straight or curved coupling	1056
Brush only (replacement) for 1056	1057
Straight Hose Coupling for 1056	1060
Curved Hose Coupling for 1056	1059
5" Round Aluminum Duster Brush with horsehair bristles	1041
Brush only (replacement) for 1041	1045
Rubber Bumper only (replacement) for 1041	1046
3" Round Vinyl Duster Brush with hose coupling	1065
Brush only (replacement) for 1065	0487
Adapter Hose Coupling only for 1065	1066
6" Aluminum Swivel Hand Tool with removable brush	1112
Brush only with clamp for 1112	1107
Brush only (replacement) for 1112	1106
6" Aluminum Swivel Wand with non-slotted tool	1847
6" Aluminum Swivel Hand Tool with removable wire brush	1113
Wire Brush only with clamp for 1113	1111
Wire Brush only (replacement) for 1113	1110

Crevice Tools



Ideal for cleaning narrow, almost inaccessible areas. Also used for blowing. Fits hose or #1557 rod.

	Hose Dia.	1.5"	2.0"
11" Non-Metallic Crevice Tool		6511	N/A
12" Aluminum Crevice Tool		1093	1099
18" Aluminum Crevice Tool		1094	1100
12" Steel Crevice Tool		1095	1101
15" Steel Crevice Tool		1096	1102
12" Stainless Steel Crevice Tool		1097	1103
18" Stainless Steel Crevice Tool		1098	1104

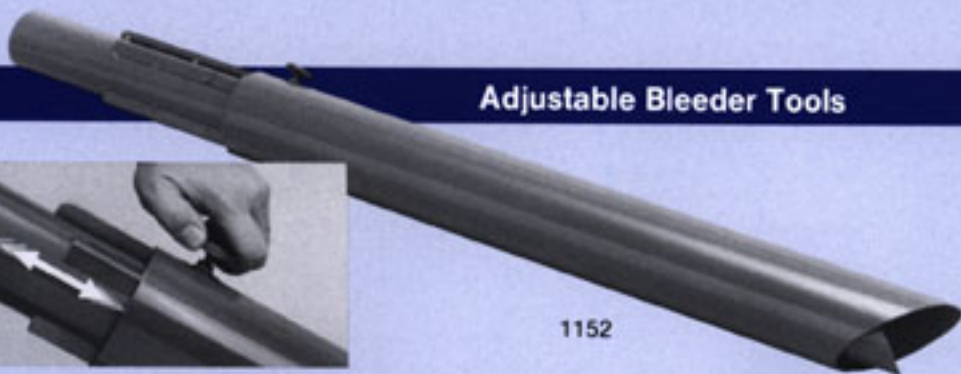
Bulk Pickup Tools



Designed for pick up of a larger volume of dry materials. Available in stainless steel.

1.5" x 23" Plastic Gulper Tool	1331
1.5" x 40" Steel Gulper Tool	1174
2.0" x 40" Steel Gulper Tool	2593
2.5" x 40" Steel Gulper Tool with handle	1397
3.0" x 40" Steel Gulper Tool with handle	1154
4.0" x 40" Steel Gulper Tool with handle	1155

Adjustable Bleeder Tools



1152

Engineered to efficiently pick up dense materials such as sand, where air flow is restricted. Available in stainless steel.

1.5" x 36" Adjustable Bleeder Tool	1161
2.0" x 36" Adjustable Bleeder Tool	1162
2.5" x 36" Adjustable Bleeder Tool	1163
3.0" x 36" Adjustable Bleeder Tool	1164
3.5" x 36" Adjustable Bleeder Tool	1152
4.0" x 36" Adjustable Bleeder Tool	1153

Miscellaneous



1105



1885



1138

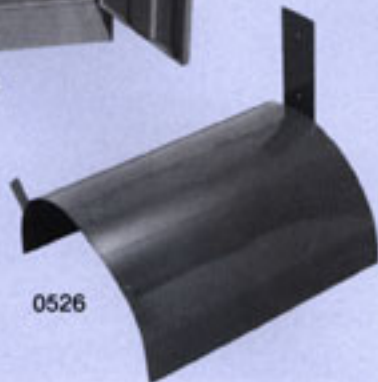
1139

1.5" x 8" Rubber Blowing Tool	1105
1.5" Hose Swivel Elbow	1885
1.5" Tool Swivel with connection	1138
Adapter - 2.0" hose to 1.5" tools	1139

Storage



1646



0526

Custom Engineered Tools



3513

3512

3514

Custom Tools... an Invincible specialty

Sometimes a problem arises which just can't be solved with a standard tool. Our engineering capability allows design of custom tools that play a key role in the efficient operation of a vacuum system. At Invincible, tools are more than just something to put at the end of a rod. They're the business end of the vacuum system. And nobody builds vacuum systems like Invincible.

Steel Hose Rack - holds up to 50' of 1.5" or 2.0" hose	0526
Tool Cabinet - 36" x 18" x 78"	1646

Heavy Duty Vacuums and Blowers



- More than 300,000 systems in use. Founded in 1905.
- Portable and stationary standard systems.
- Custom designed systems to fit your requirements.
- Built to last. Many systems still going strong after 40 and more years of service.
- All separation occurs ahead of moving parts, trapping abrasive materials before they can cause wear and damage to machines.
- Options include explosion resistant packages, automatic or manual bag shakers, auxiliary collectors (wet or dry), silencers, special filters, alternate power sources, stainless steel or other construction materials.
- Continuous duty units, most guaranteed 5 years.



Exceptionally Efficient!

TurboFlow™ Air Movers

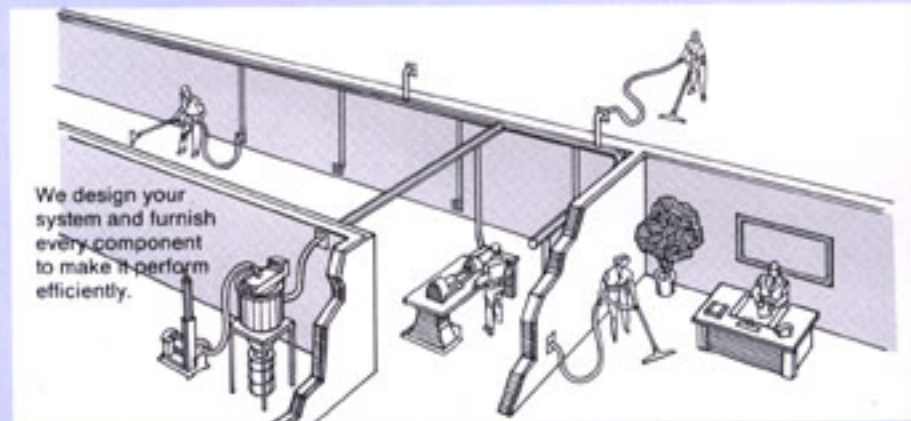


Cloth Bag and Cartridge Types

TurboClean™ Filter/Separators



Welding Flux Recovery



We design your system and furnish every component to make it perform efficiently.

Complete Central Vacuum Systems



Moves where it's needed. One operator can empty the collector.

Fork Truck Moveable Vacuums

INVINCIBLE
AirFlow Systems®

Represented by:

600 North Ray Street, Box 380
Baltic, Ohio 43804
(330) 897-3200, FAX (330) 897-3400
Internet: <http://www.invincibleair.com>

1-800-282-6999

Form 111-99 © Invincible AirFlow Systems, 1999